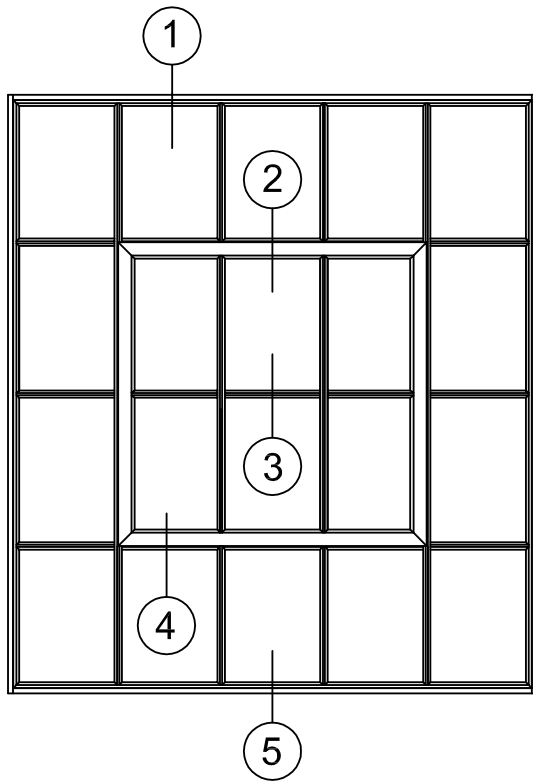


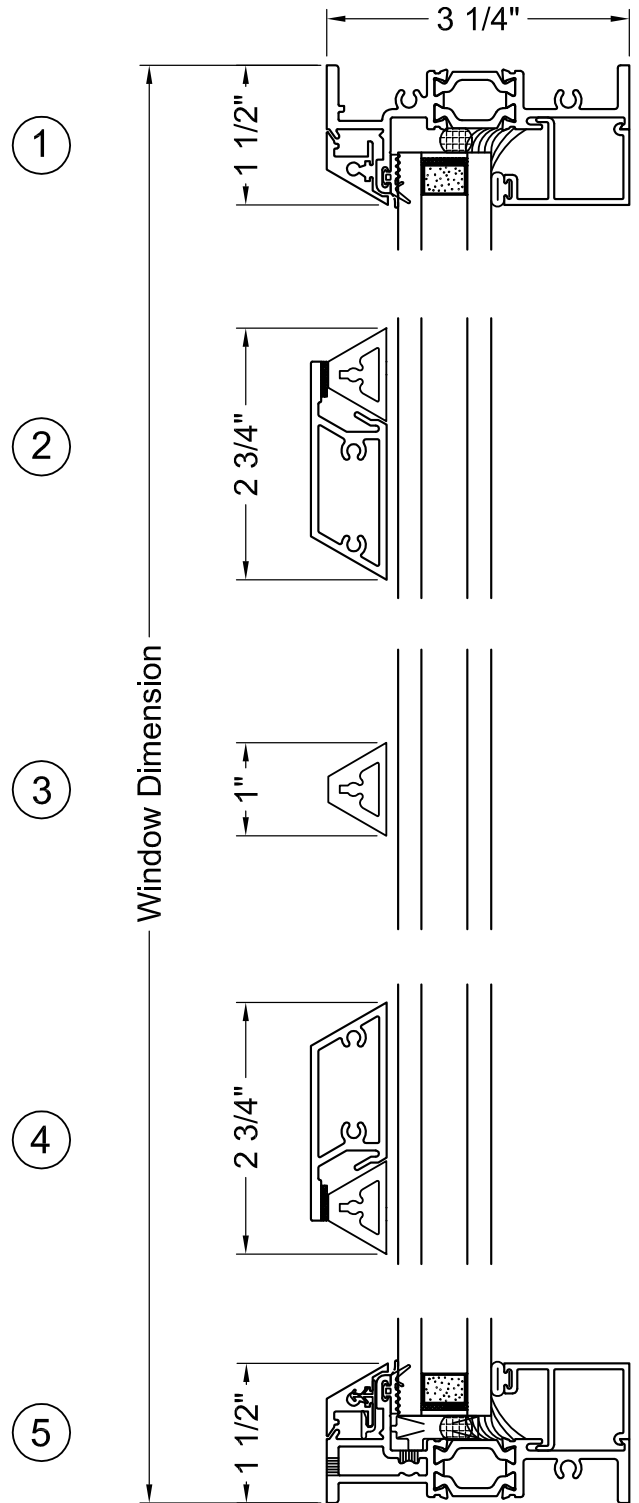


BEVEL GRID DETAILS..... 4 - 18
COVE GRID DETAILS 19 - 31
T GRID DETAILS..... 32 - 44
MEETING RAILS..... 45
STACK DETAILS..... 46
MULLION DETAILS..... 47
PANNING DETAILS..... 48
SUBFRAME DETAILS..... 49
MISCELLANEOUS DETAILS..... 50

EFCO reserves the right to change configurations without prior notice when deemed necessary for product improvement. For specific product applications, consult your EFCO representative.



Typical Elevation



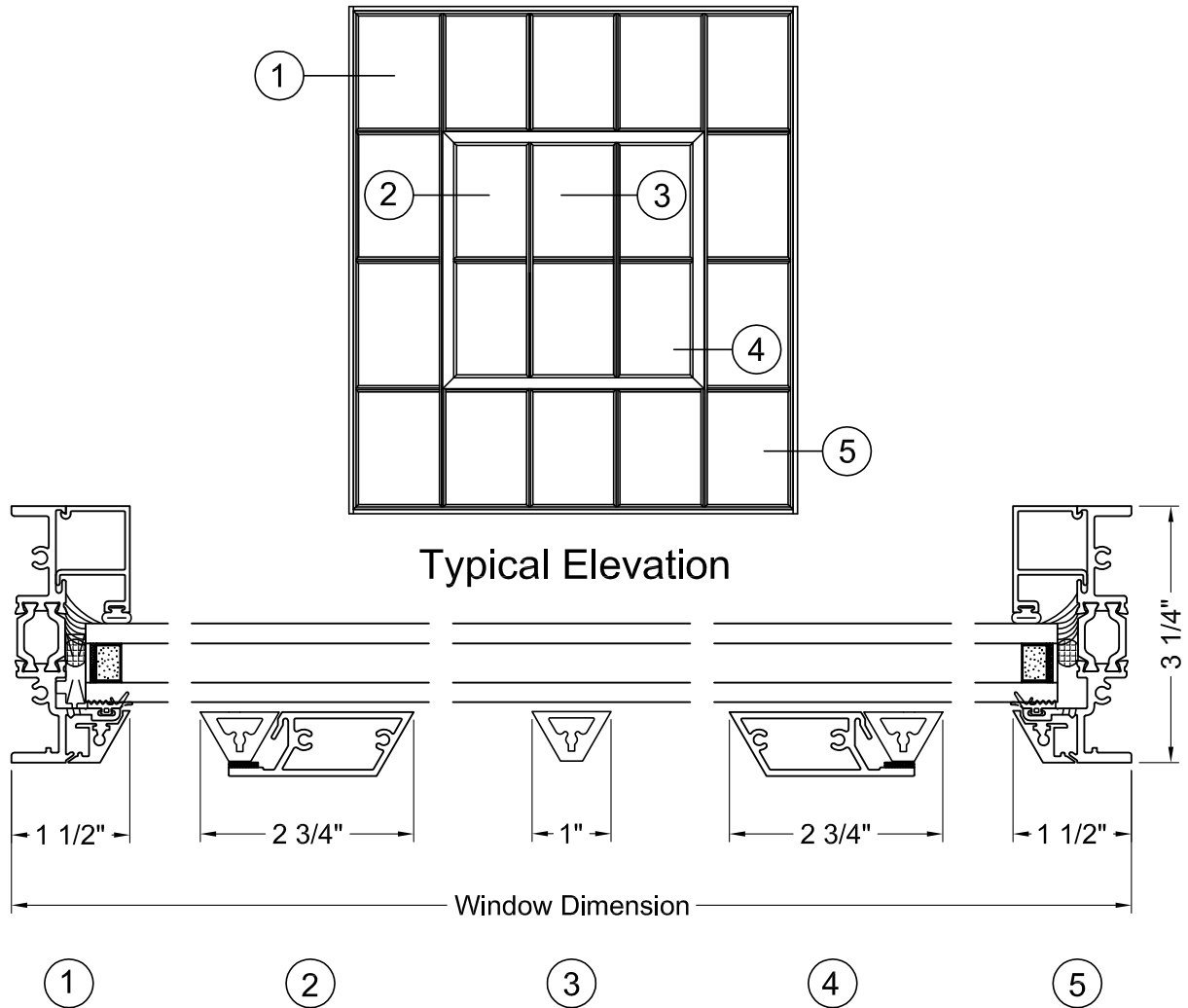
Note: Faux vent configuration is only available with beveled grid at this time. Contact your EFCO representative for more information.

Scale: 6" = 1'-0"



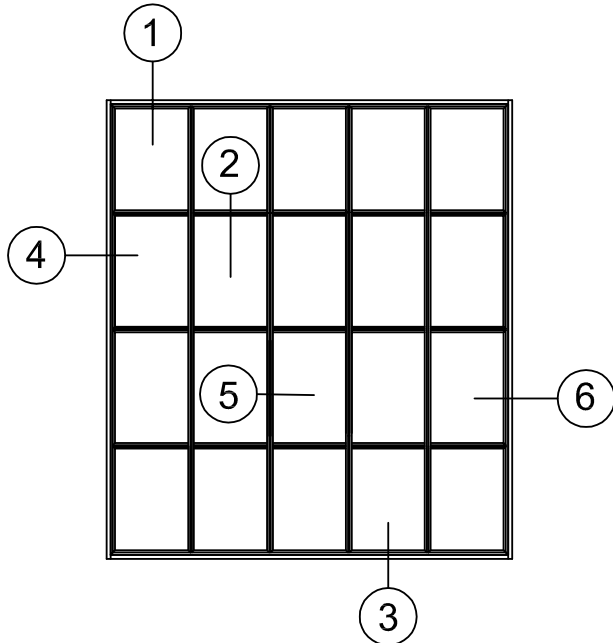
590X 3-1/4" Steel Replica Window

Faux Vent - Vertical Details

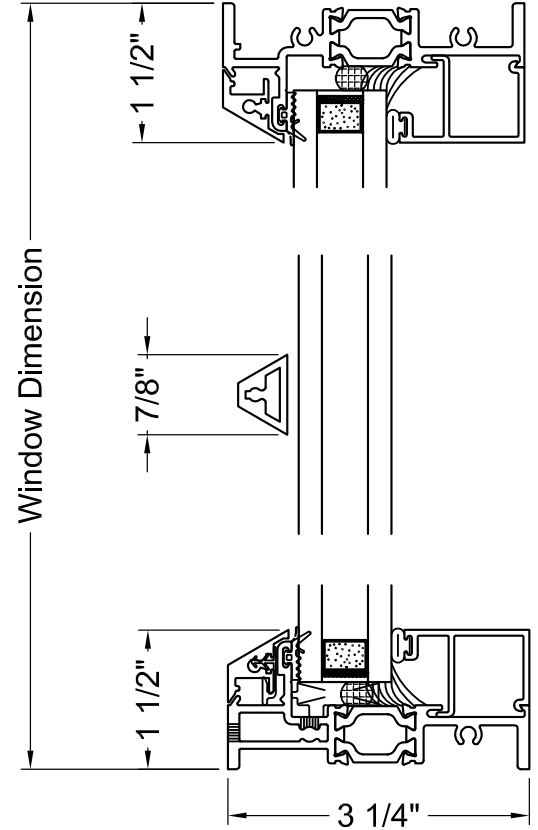
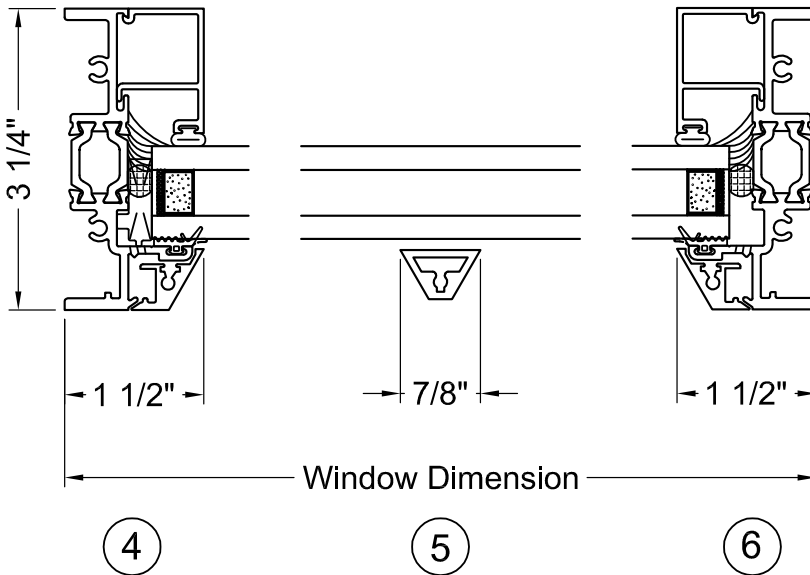


Scale: 6" = 1'-0"

Note: Faux vent configuration is only available with beveled grid at this time. Contact your EFCO representative for more information.



Typical Elevation



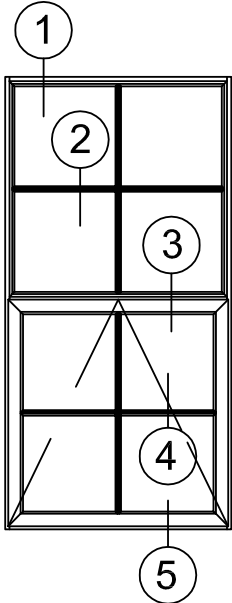
Note: Multiple configurations available. Contact your EFCO representative for more information.

Scale: 6" = 1'-0"

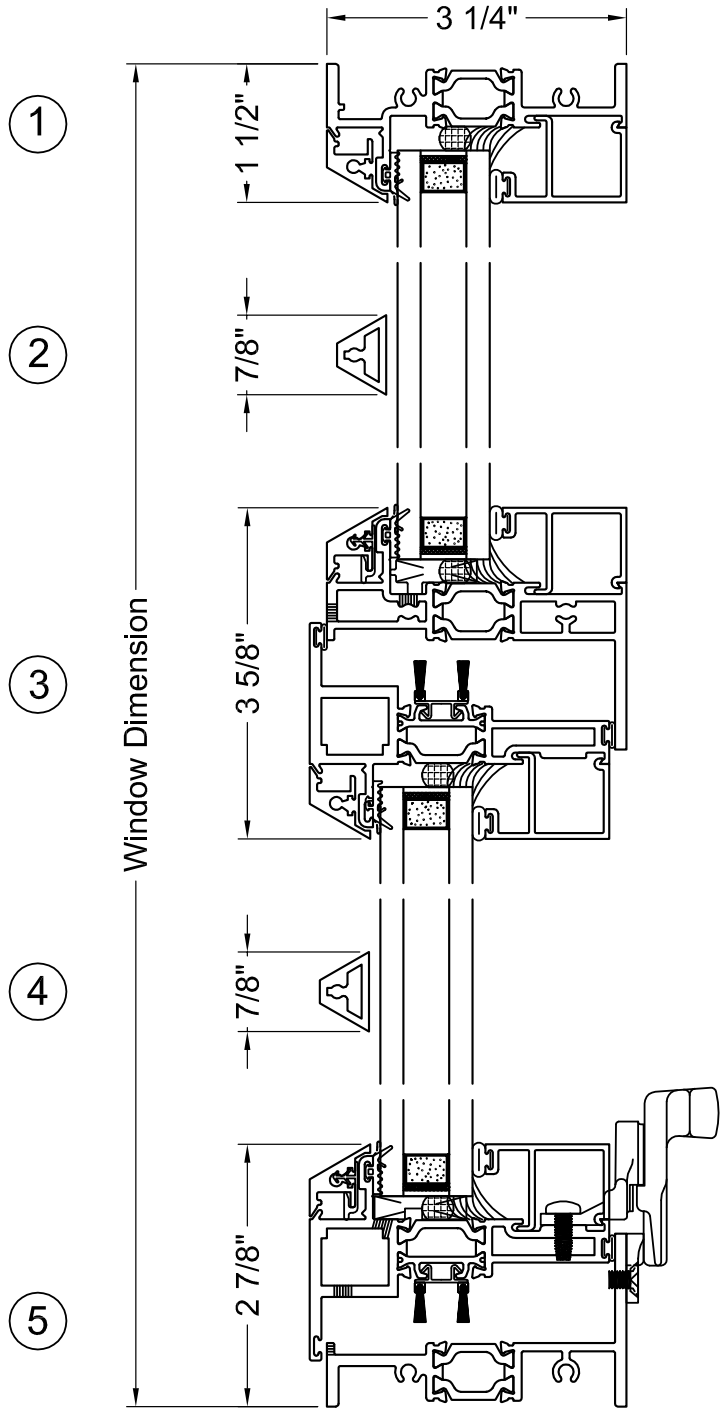


590X 3-1/4" Steel Replica Window

FX/PO - Horizontal Details

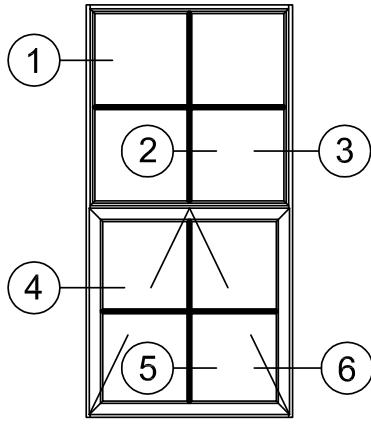


Typical Elevation

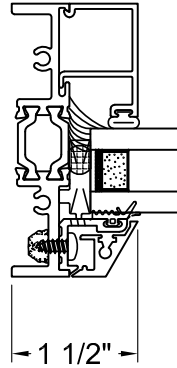


Scale: 6" = 1'-0"

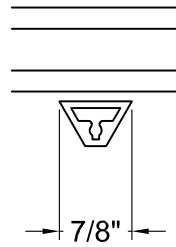
Note: Multiple configurations and hardware options available. Contact your EFCO representative for more information.



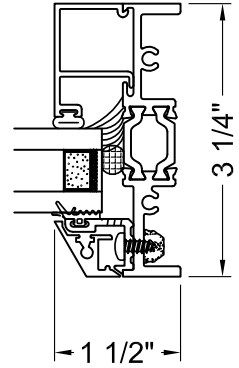
Typical Elevation



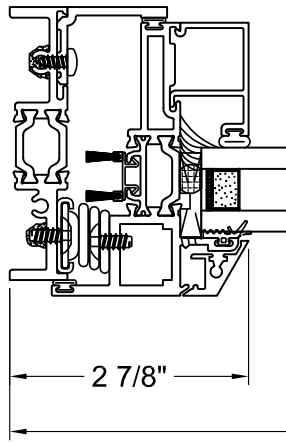
1



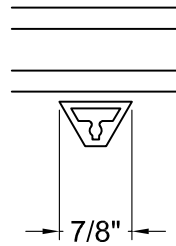
2



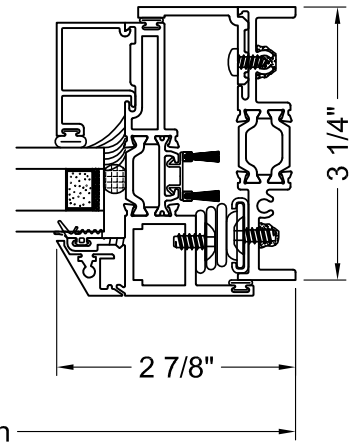
3



4



5



6

Window Dimension

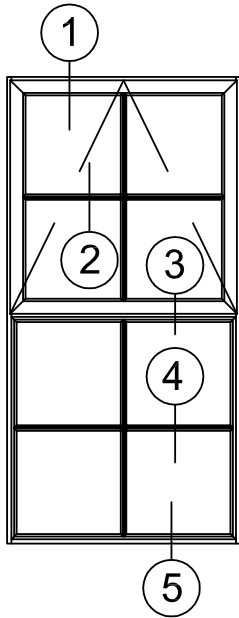
Note: Multiple configurations and hardware options available. Contact your EFCO representative for more information.

Scale: 6" = 1'-0"

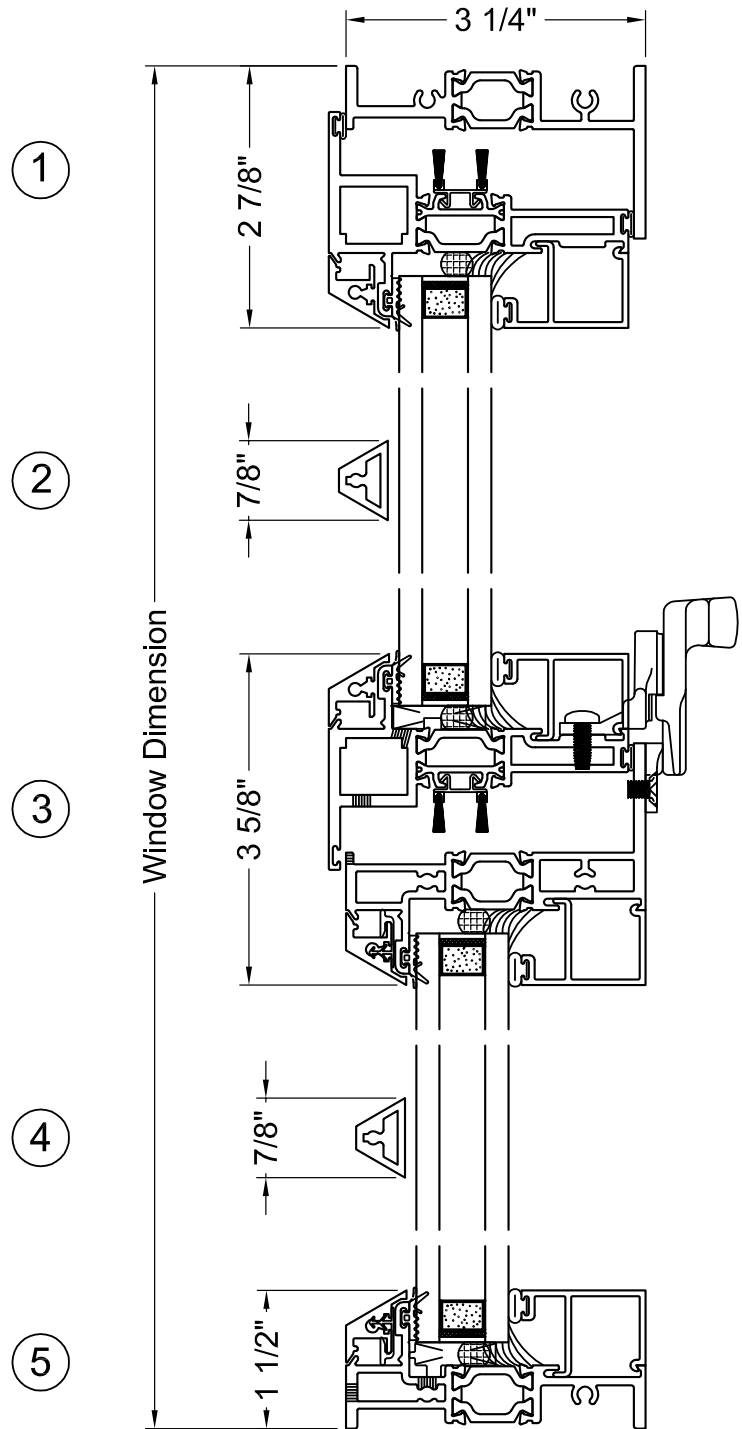


590X 3-1/4" Steel Replica Window

PO/FX - Horizontal Details

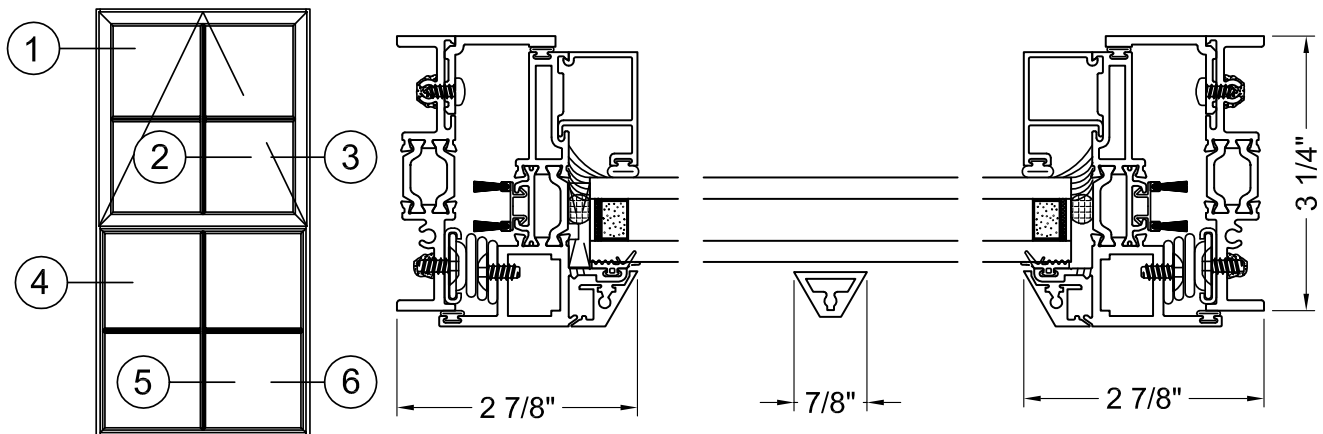


Typical Elevation

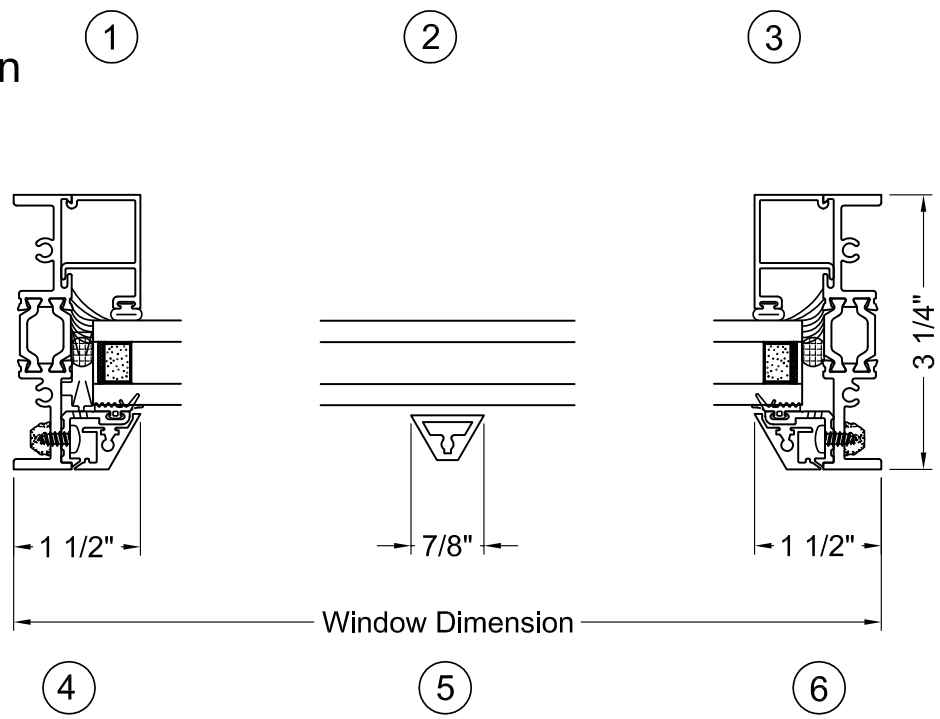


Scale: 6" = 1'-0"

Note: Multiple configurations and hardware options available. Contact your EFCO representative for more information.



Typical Elevation



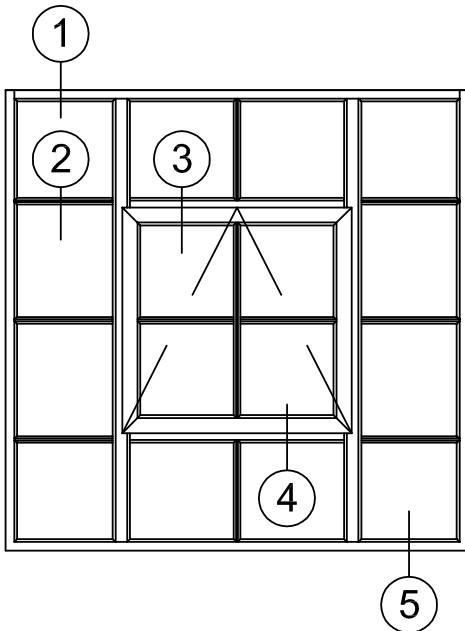
Note: Multiple configurations and hardware options available. Contact your EFCO representative for more information.

Scale: 6" = 1'-0"

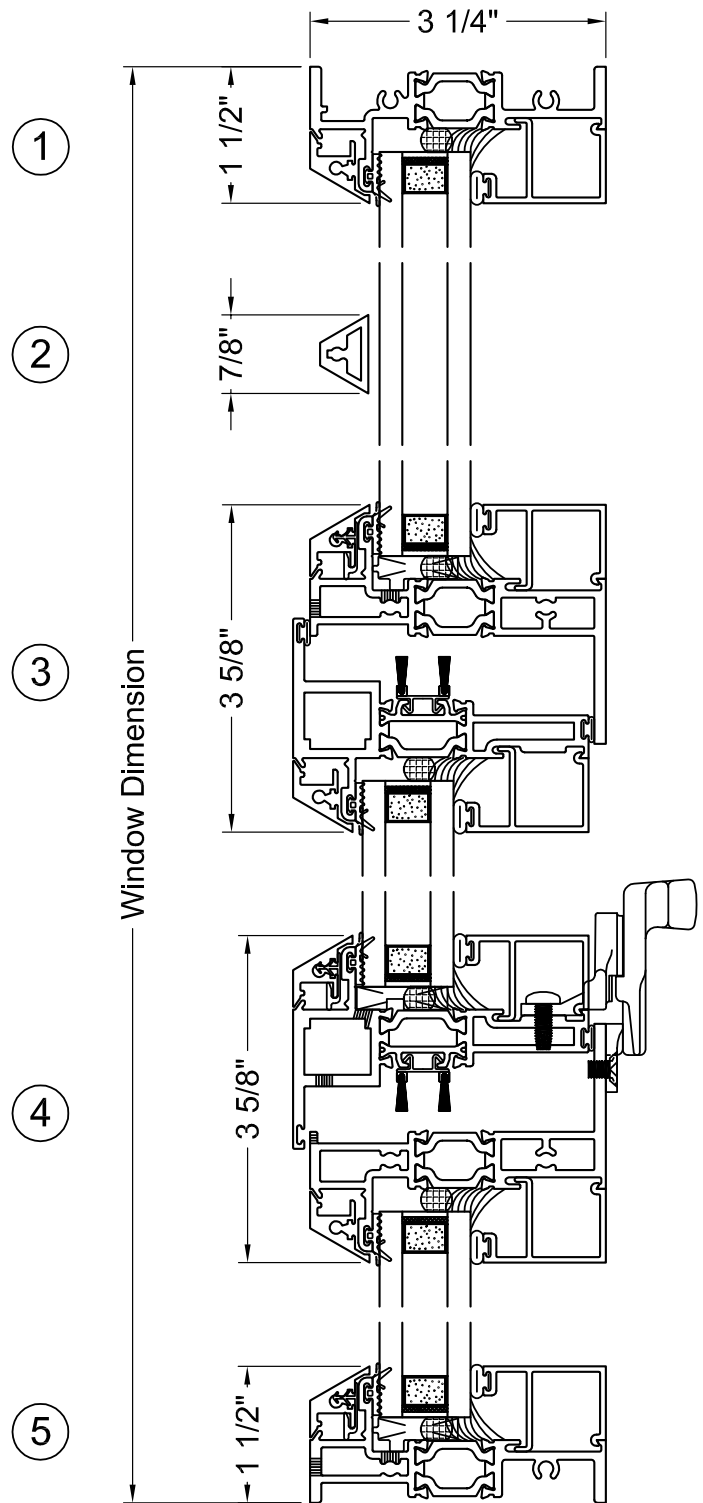


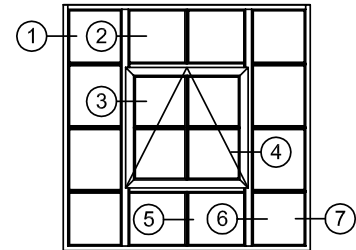
590X 3-1/4" Steel Replica Window

Floating Vent - Horizontal Details



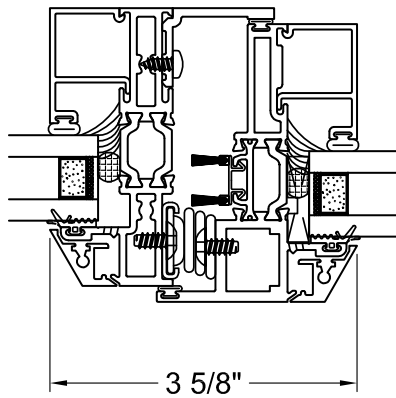
Typical Elevation



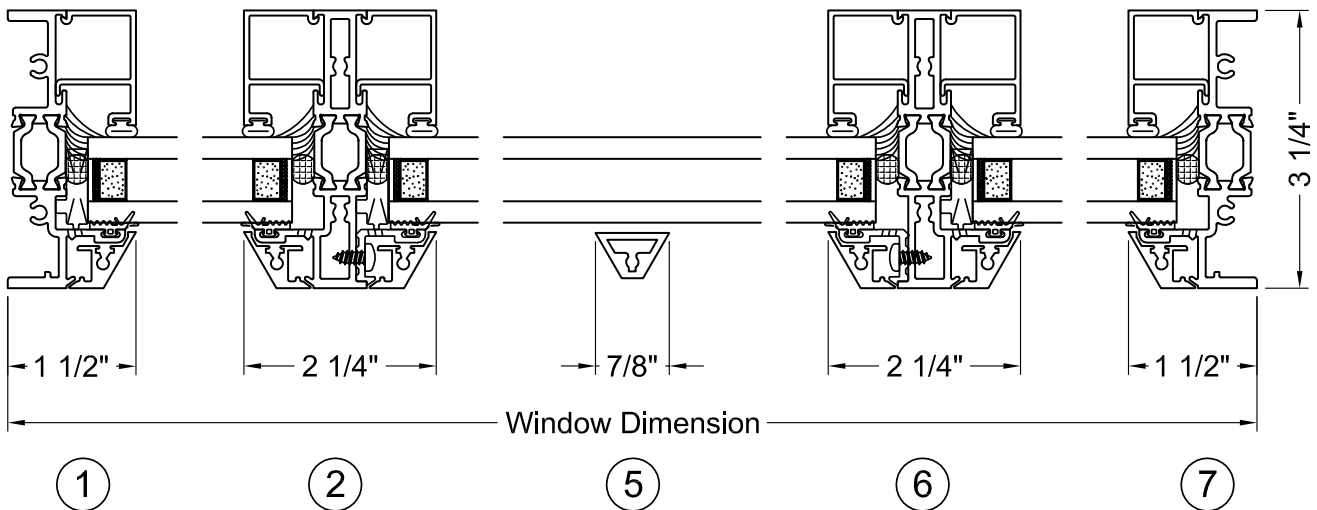
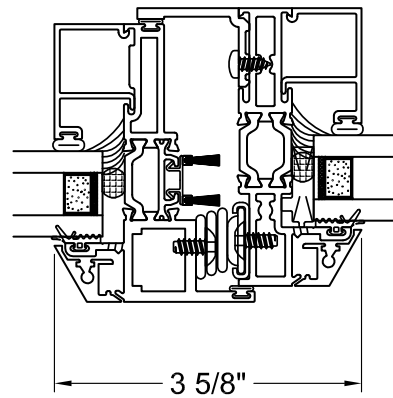


Typical Elevation

3



4



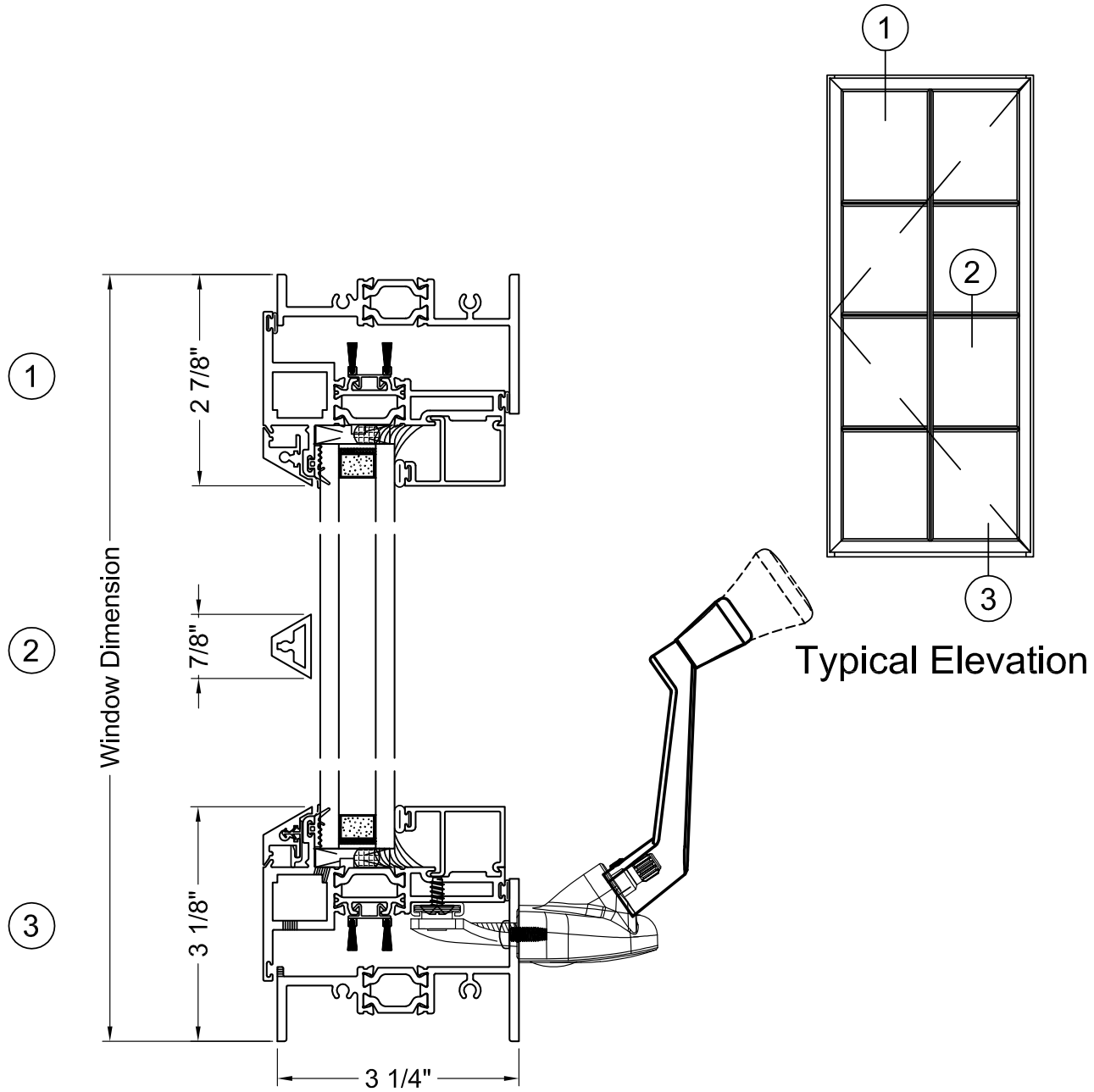
Note: Multiple configurations and hardware options available. Contact your EFCO representative for more information.

Scale: 6" = 1'-0"



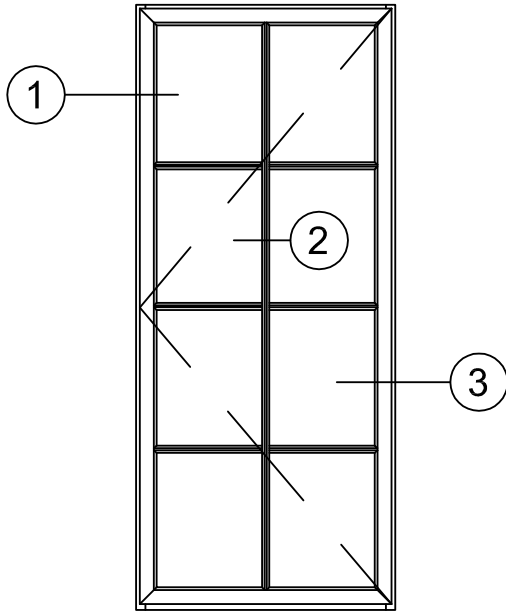
590X 3-1/4" Steel Replica Window

Outswing Casement - Horizontal Details

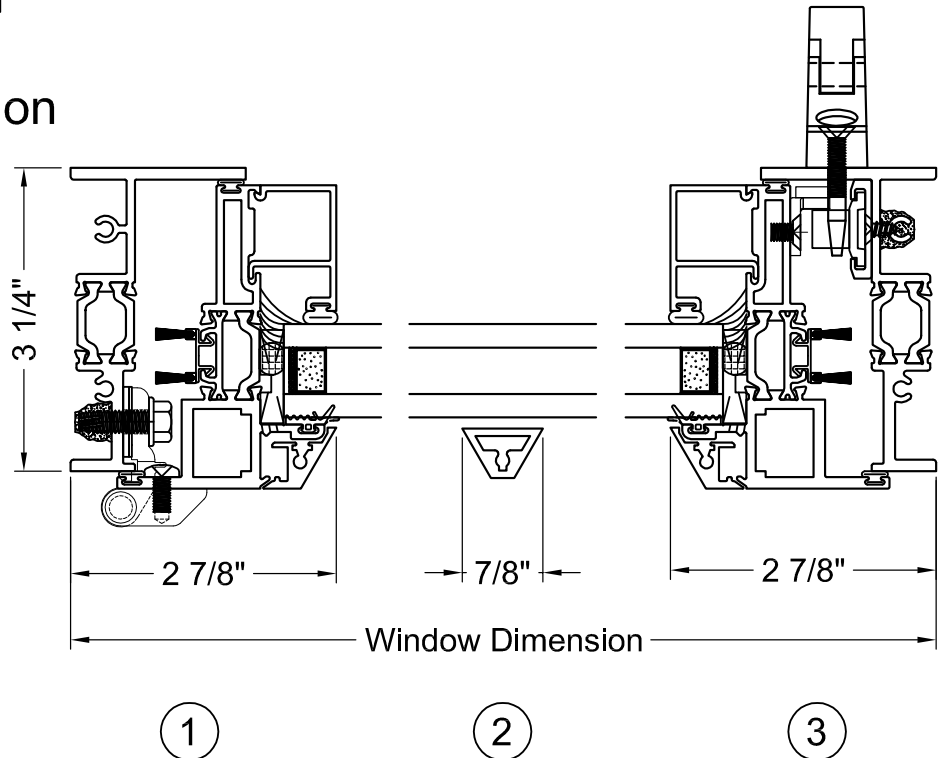


Scale: 6" = 1'-0"

Note: Multiple configurations and hardware options available. Contact your EFCO representative for more information.



Typical Elevation



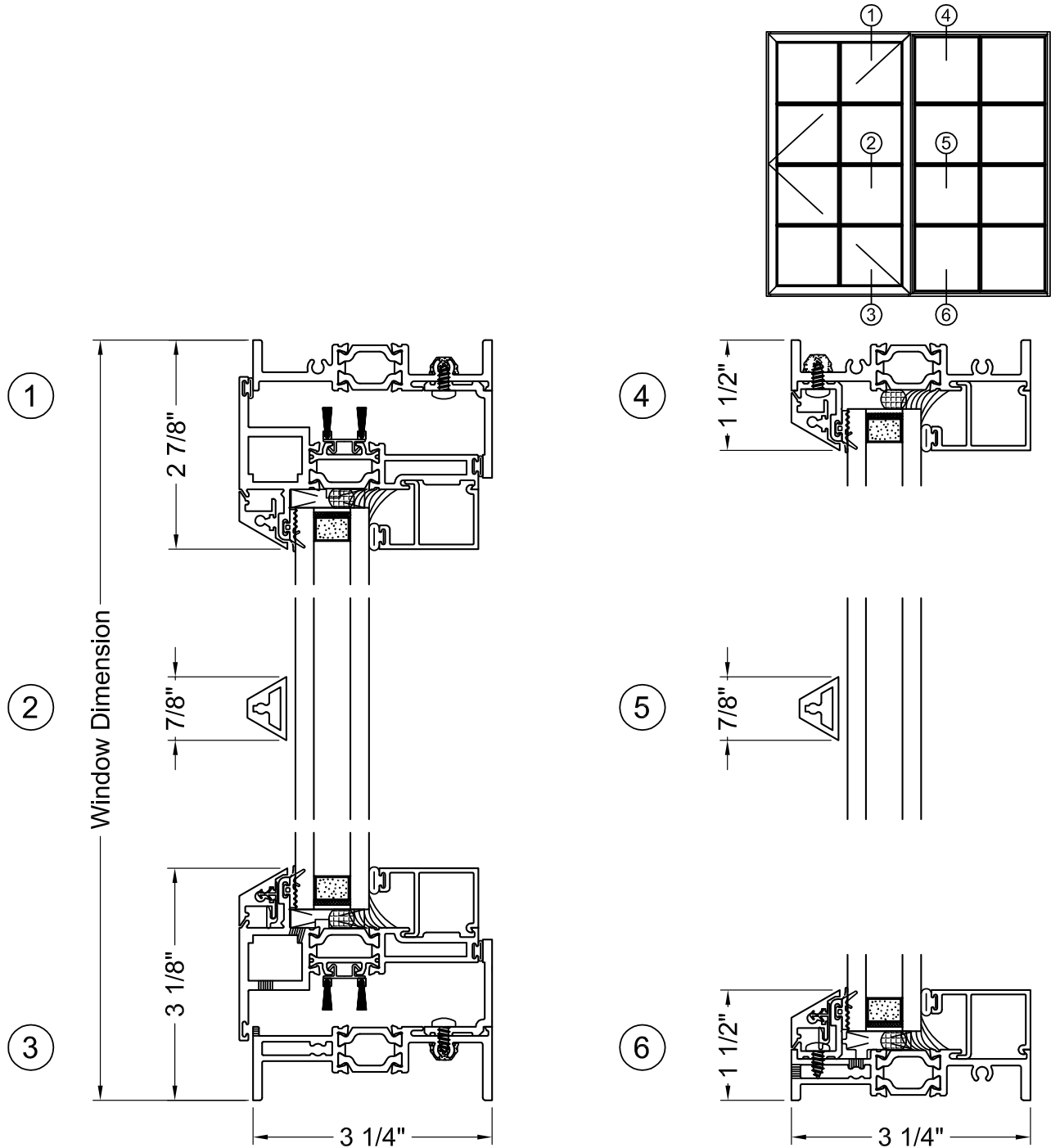
Note: Multiple configurations and hardware options available. Contact your EFCO representative for more information.

Scale: 6" = 1'-0"



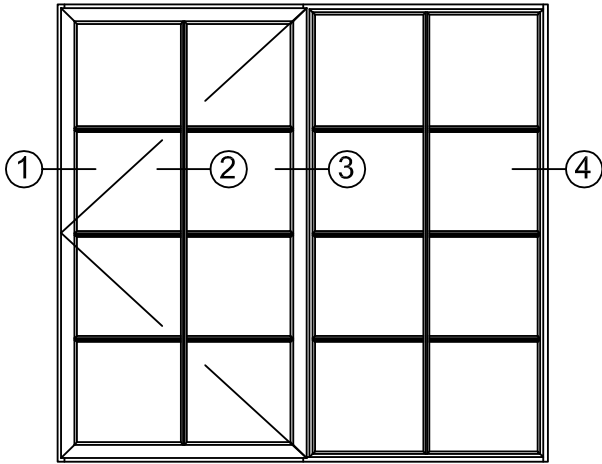
590X 3-1/4" Steel Replica Window

Outswing Casement | Fixed - Horizontal Details

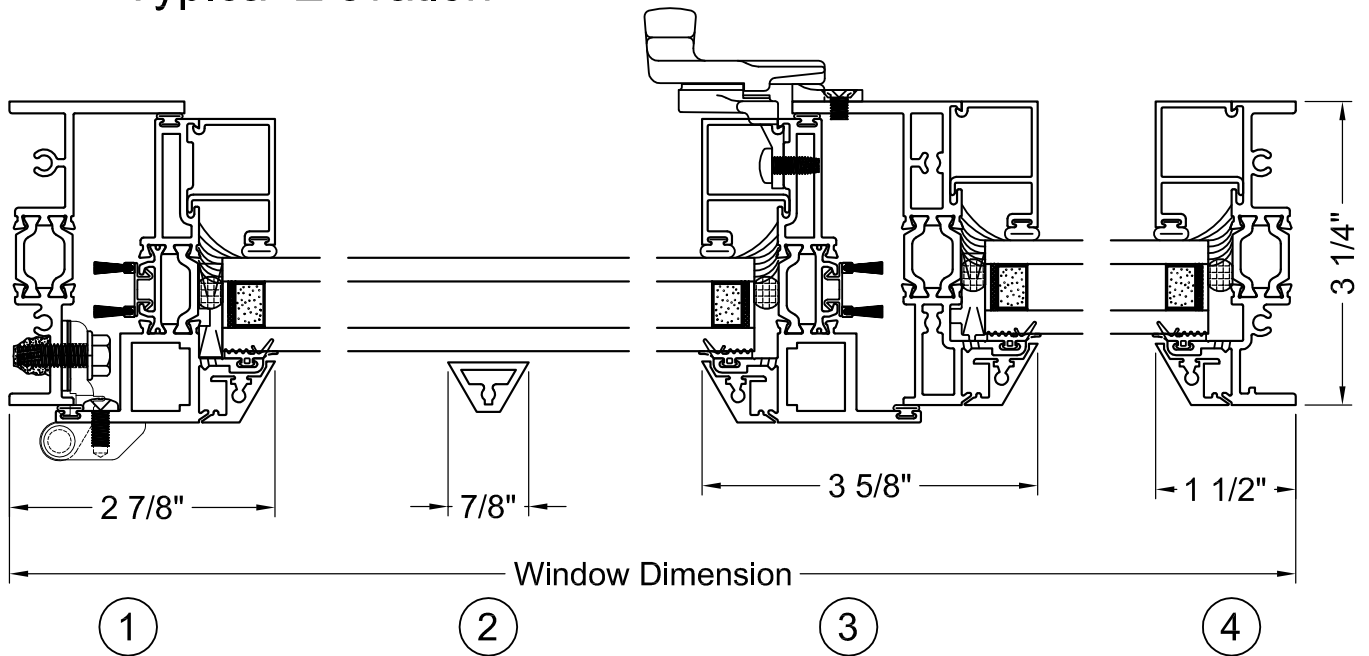


Scale: 6" = 1'-0"

Note: Multiple configurations and hardware options available. Contact your EFCO representative for more information.

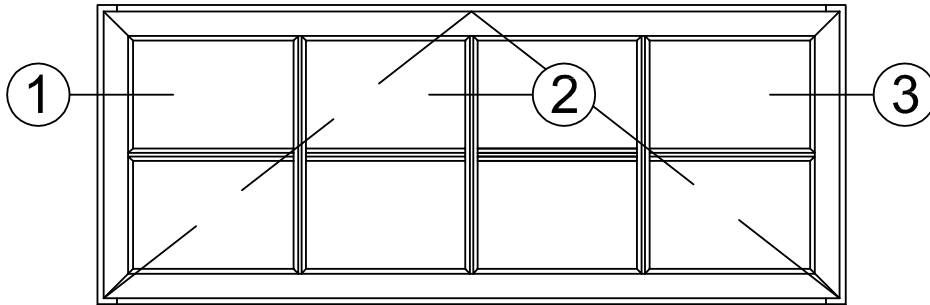


Typical Elevation



Note: Multiple configurations and hardware options available. Contact your EFCO representative for more information.

Scale: 6" = 1'-0"

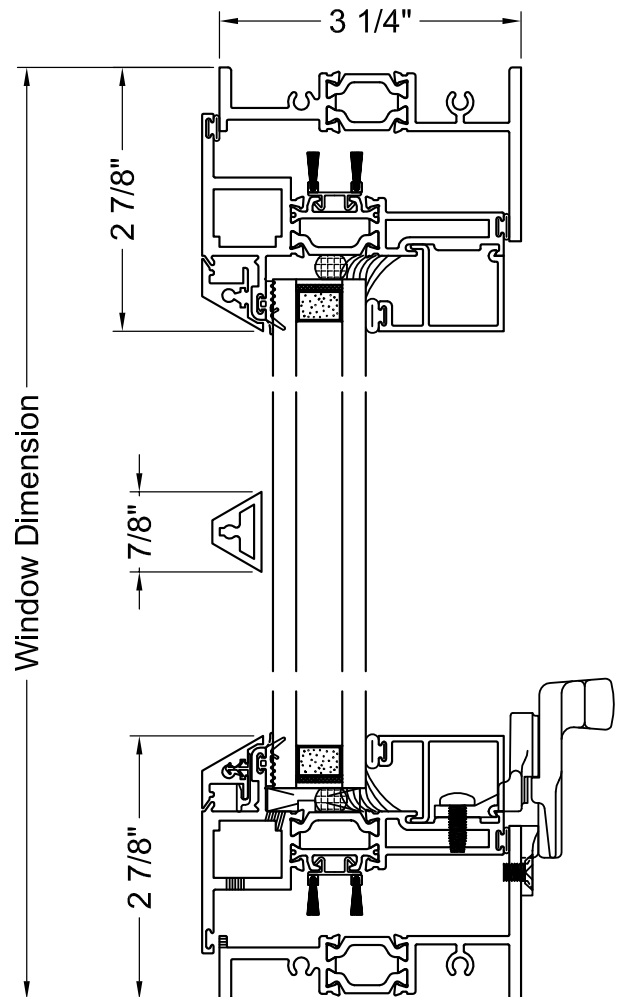


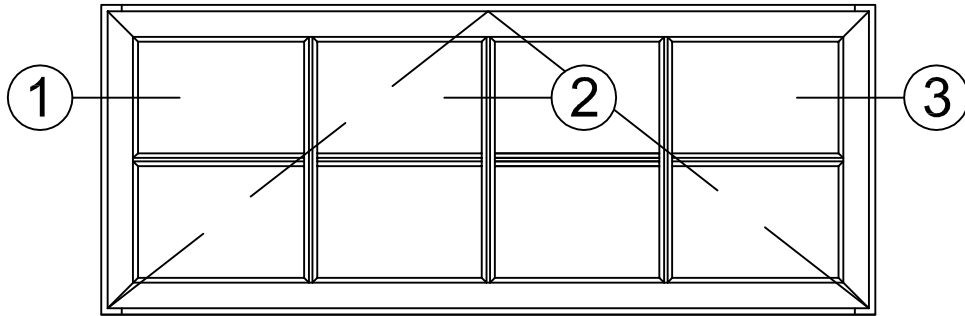
Typical Elevation

1

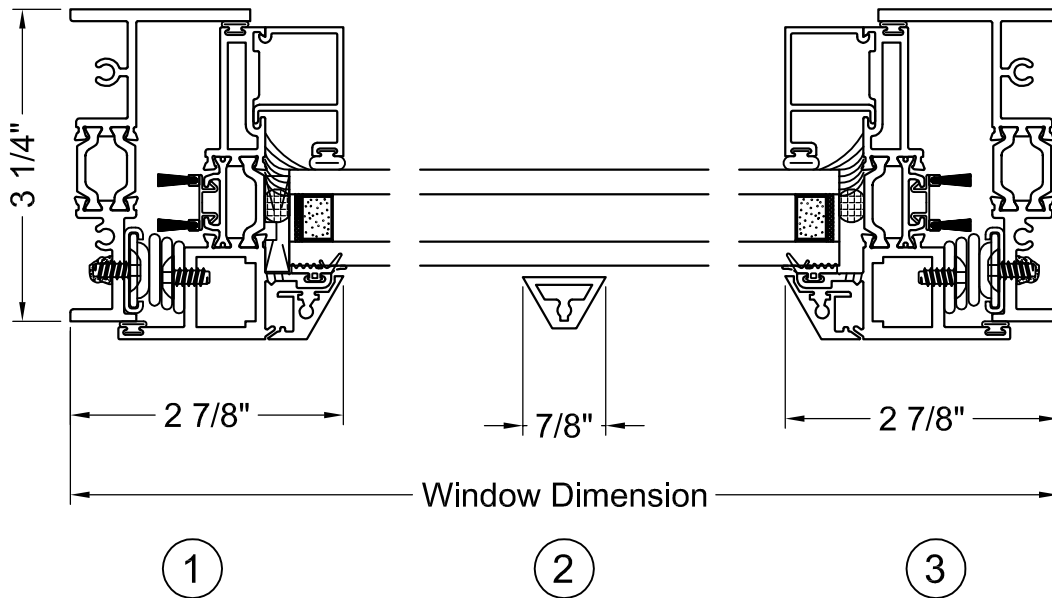
2

3





Typical Elevation



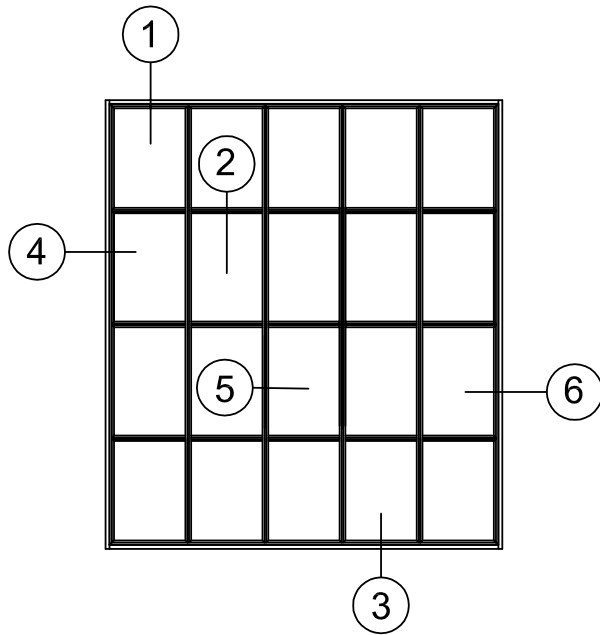
Note: Multiple configurations and hardware options available. Contact your EFCO representative for more information.

Scale: 6" = 1'-0"

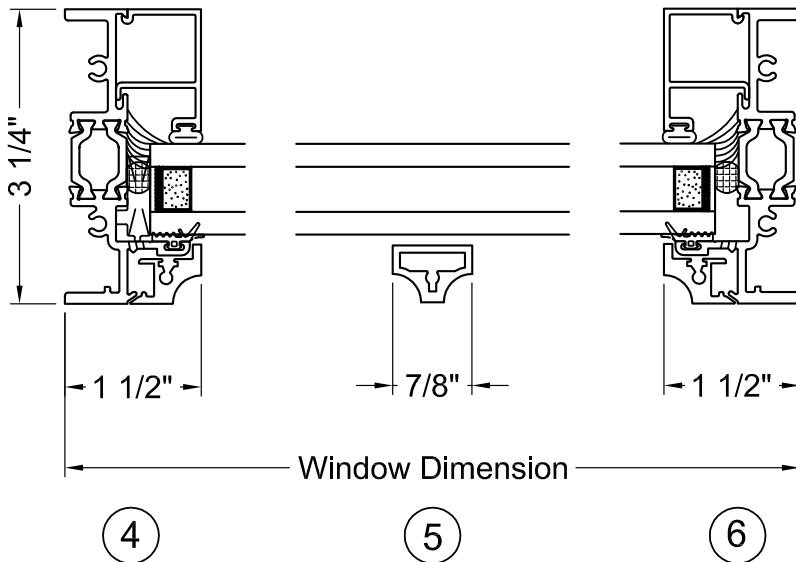
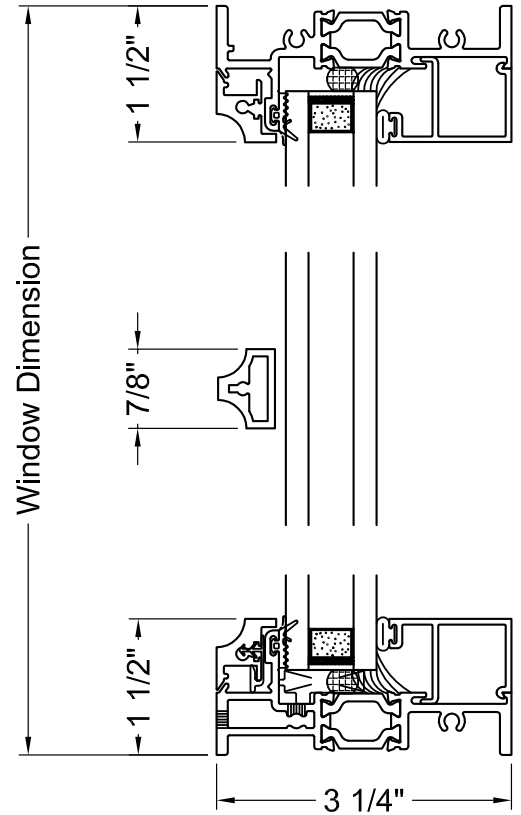


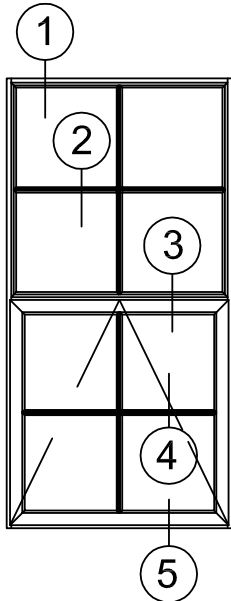
590X 3-1/4" Steel Replica Window

Fixed Window - Details

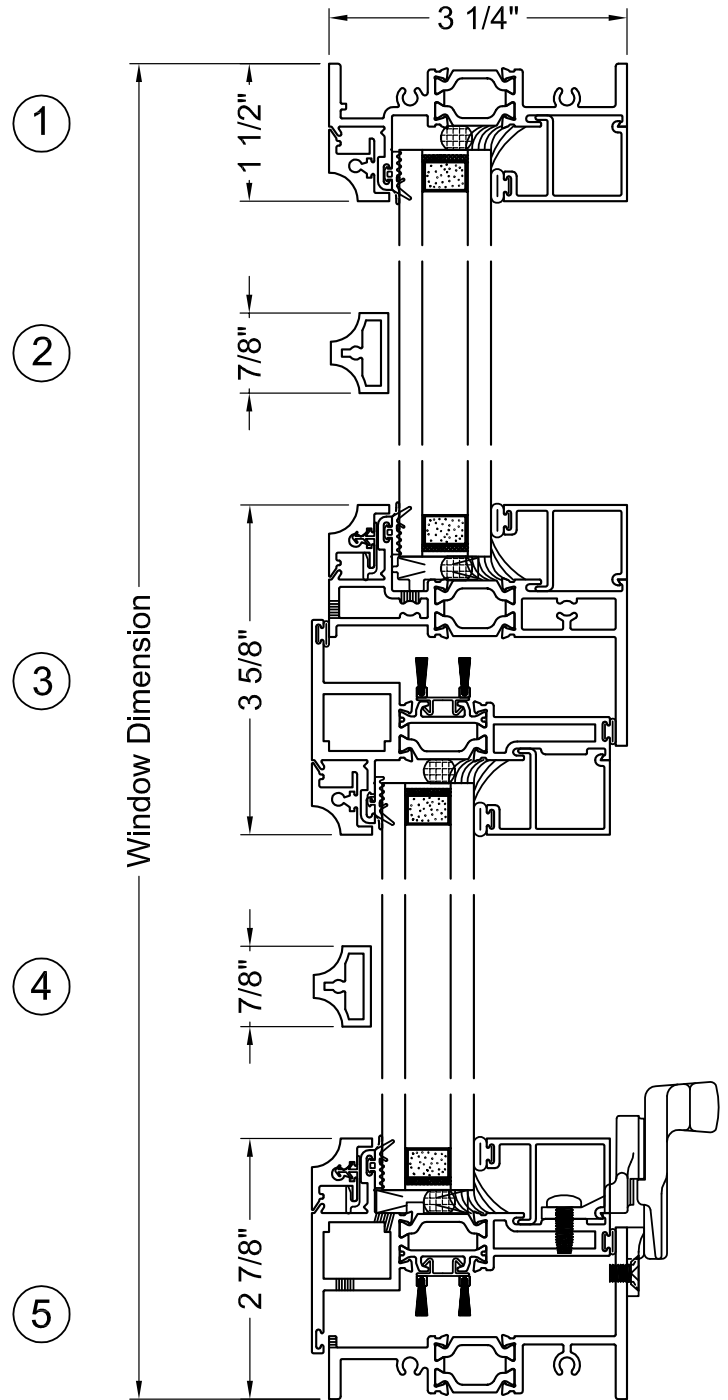


Typical Elevation





Typical Elevation



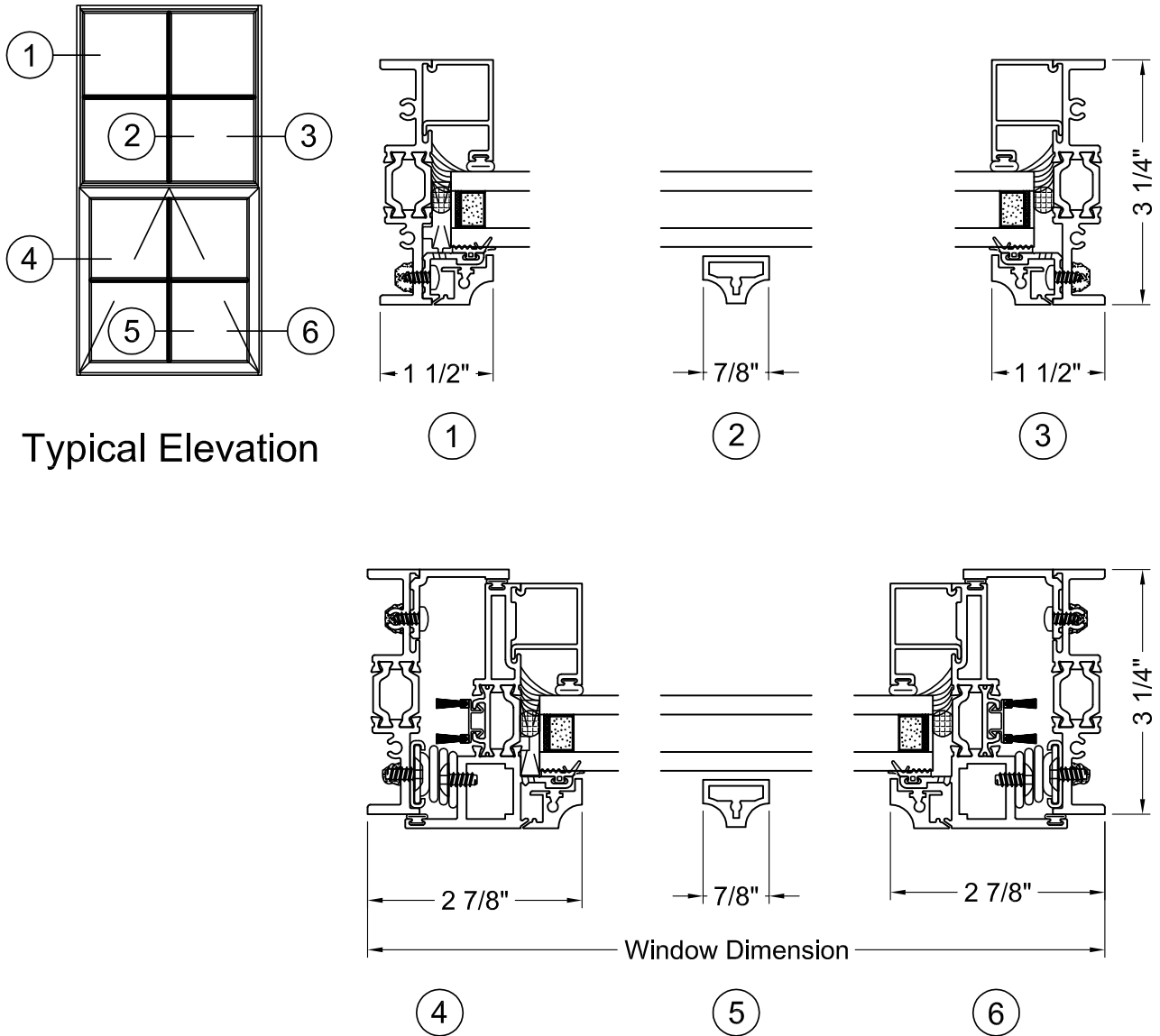
Note: Multiple configurations and hardware options available. Contact your EFCO representative for more information.

Scale: 6" = 1'-0"



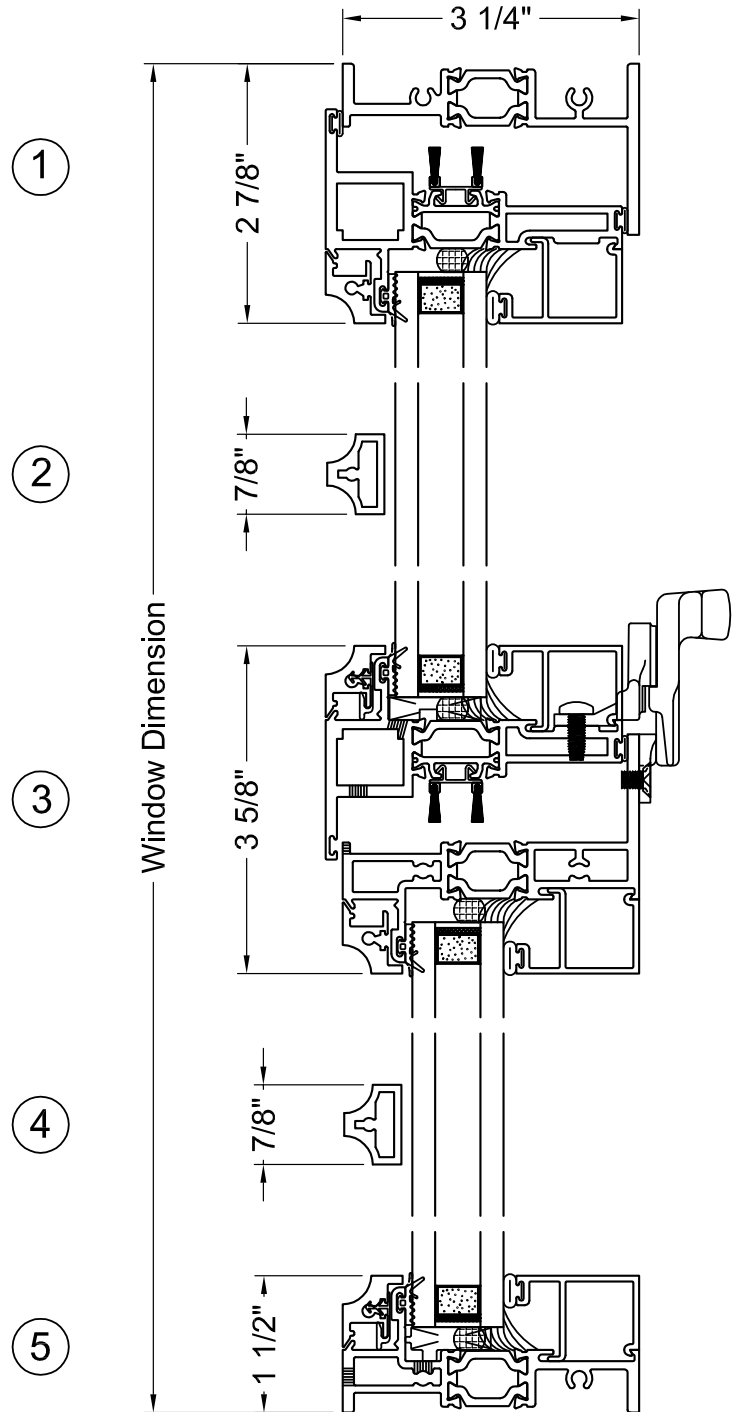
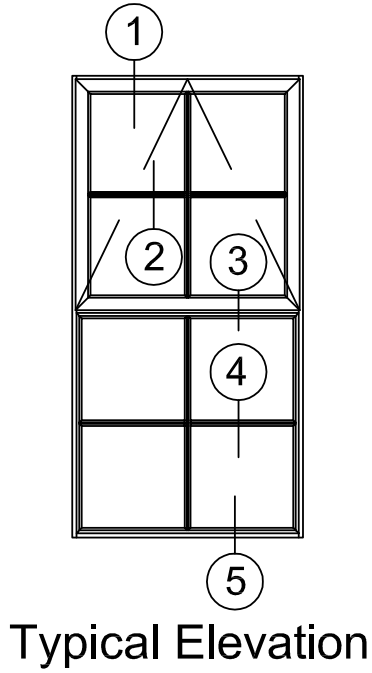
590X 3-1/4" Steel Replica Window

FX/PO - Vertical Details



Scale: 6" = 1'-0"

Note: Multiple configurations and hardware options available. Contact your EFCO representative for more information.



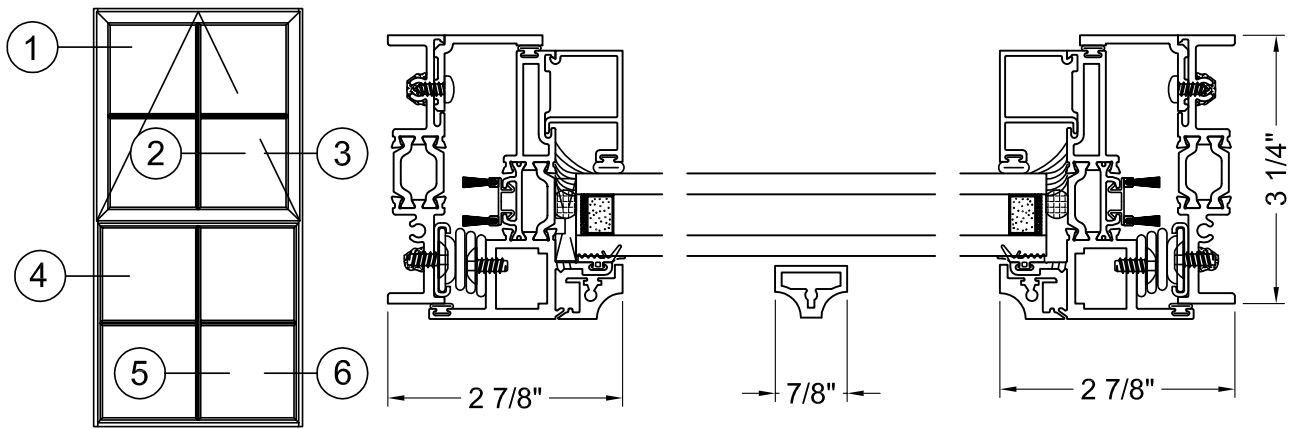
Note: Multiple configurations and hardware options available. Contact your EFCO representative for more information.

Scale: 6" = 1'-0"



590X 3-1/4" Steel Replica Window

PO/FX - Vertical Details

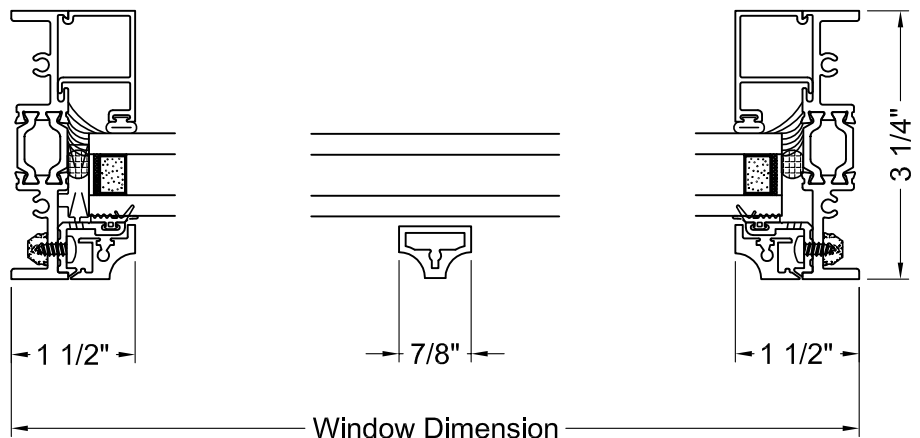


Typical Elevation

1

2

3

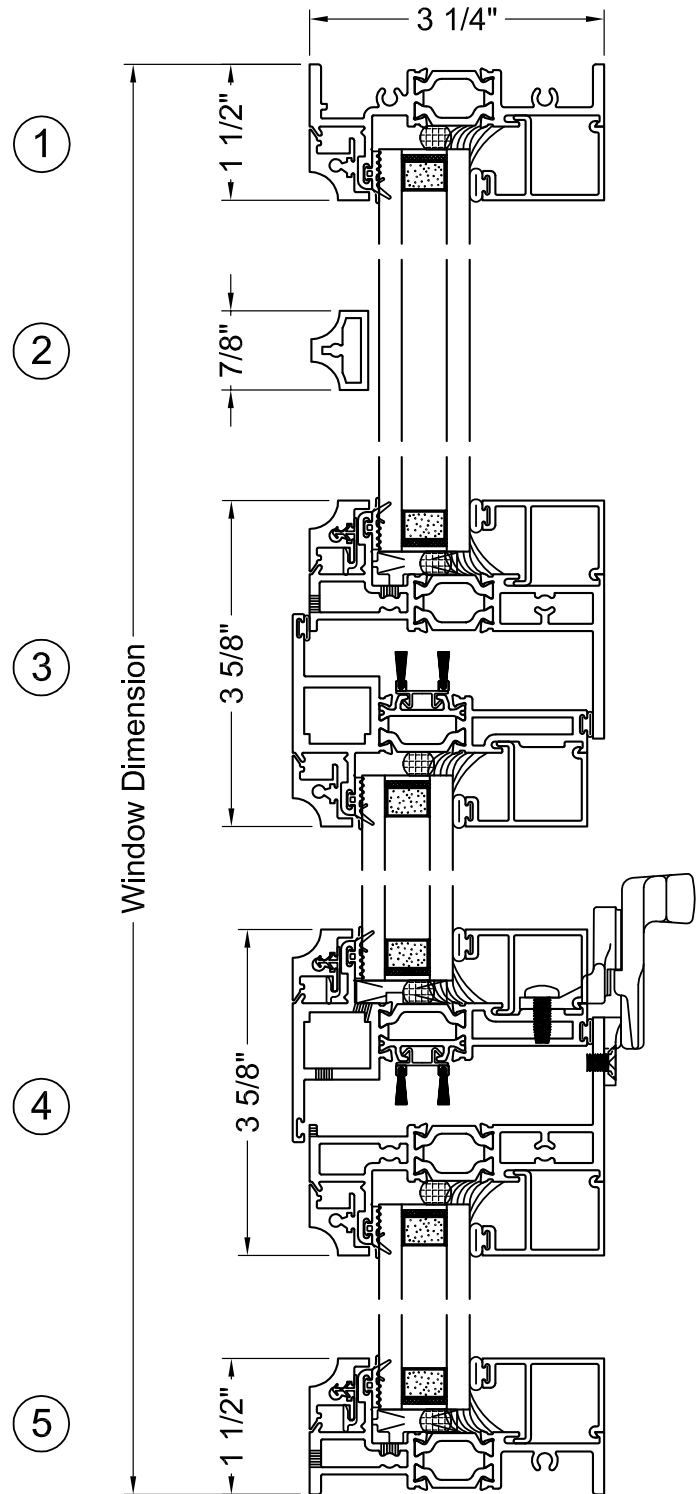
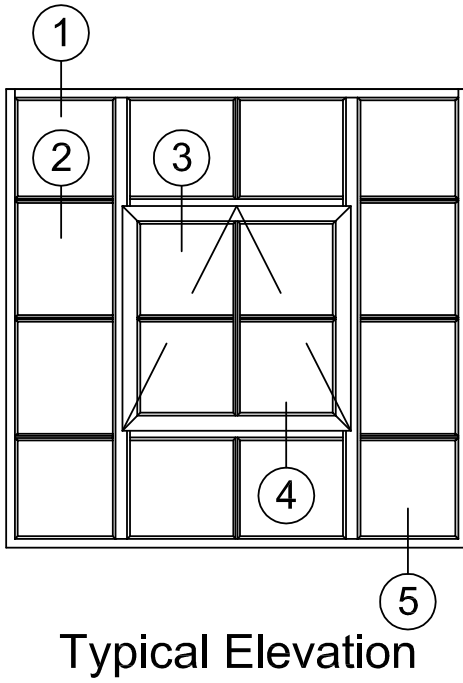


4

5

6

Window Dimension



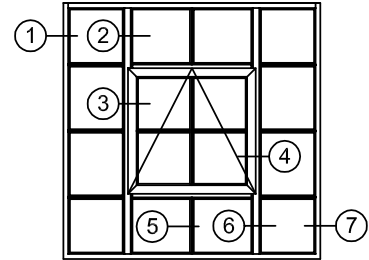
Note: Multiple configurations and hardware options available. Contact your EFCO representative for more information.

Scale: 6" = 1'-0"



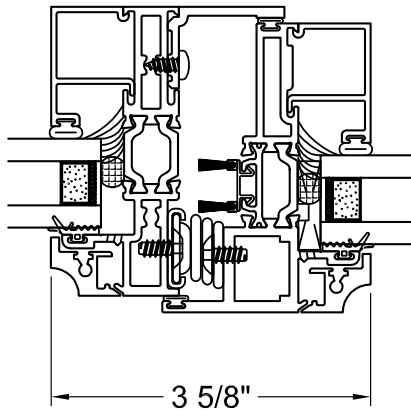
590X 3-1/4" Steel Replica Window

Floating Vent - Vertical Details

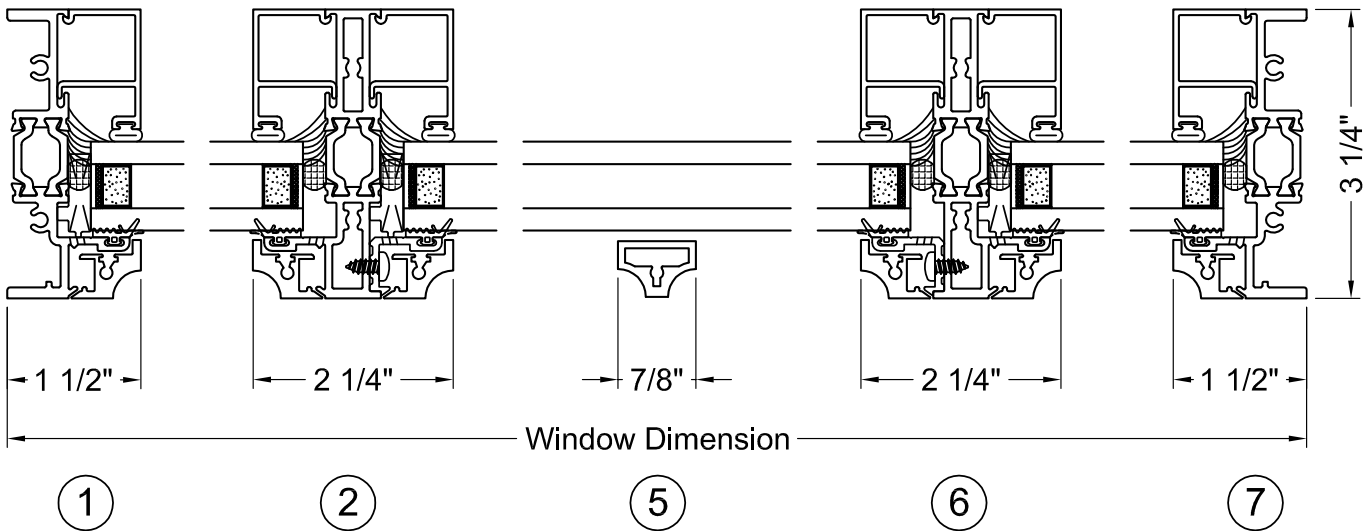
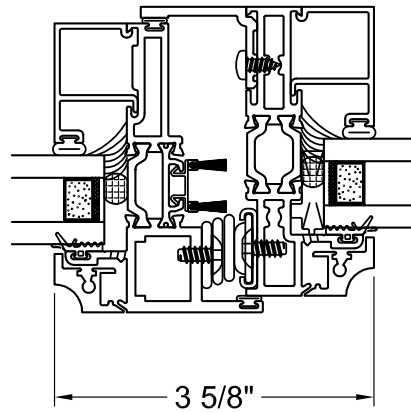


Typical Elevation

3



4



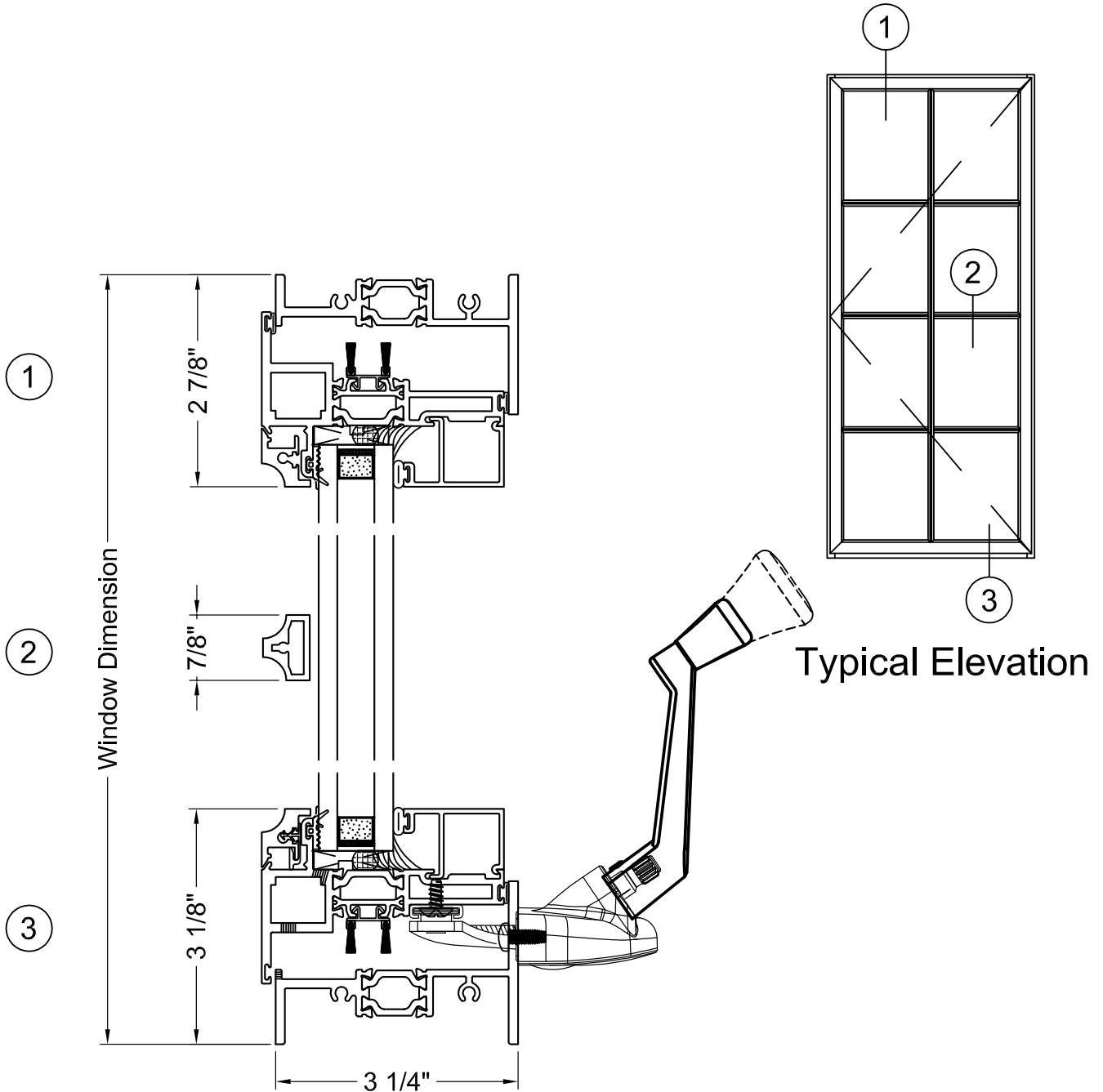
1

2

5

6

7



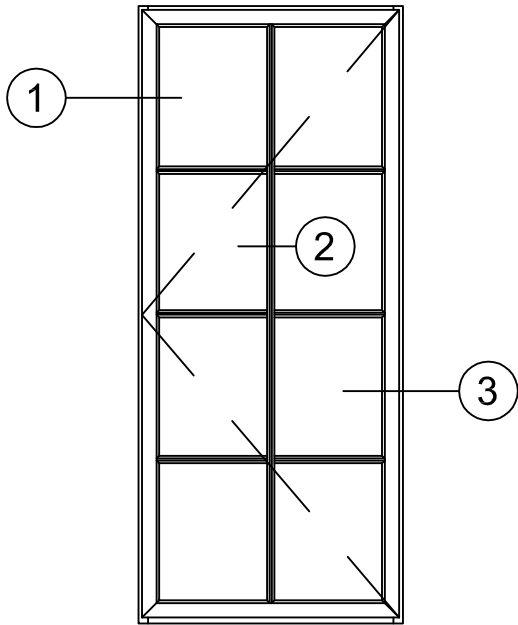
Note: Multiple configurations and hardware options available. Contact your EFCO representative for more information.

Scale: 6" = 1'-0"

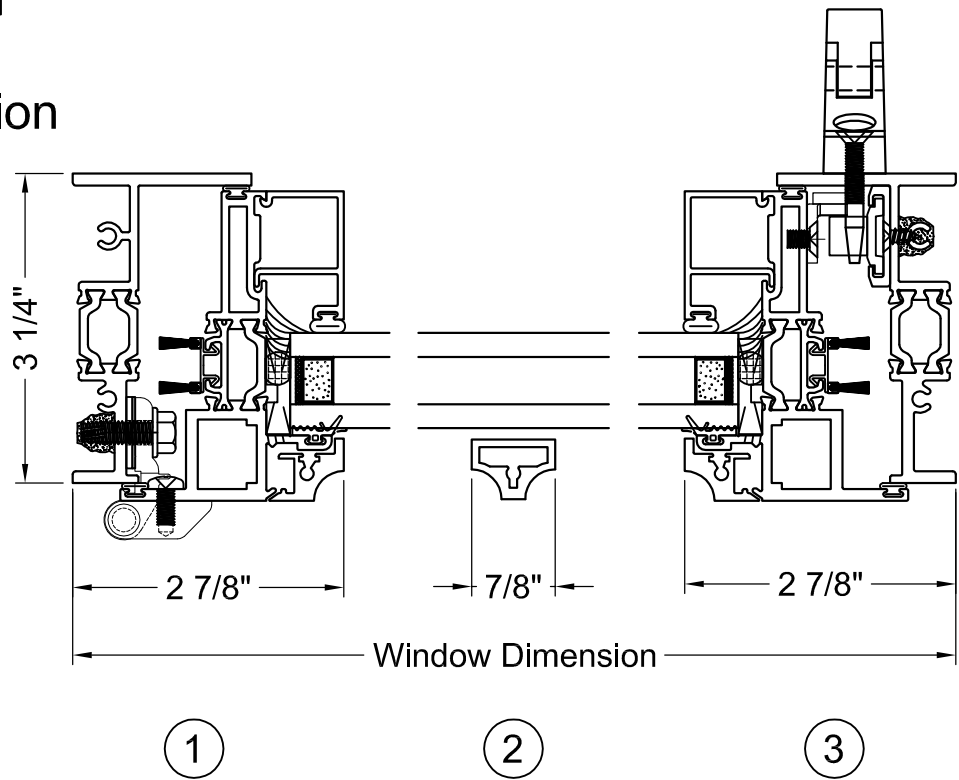


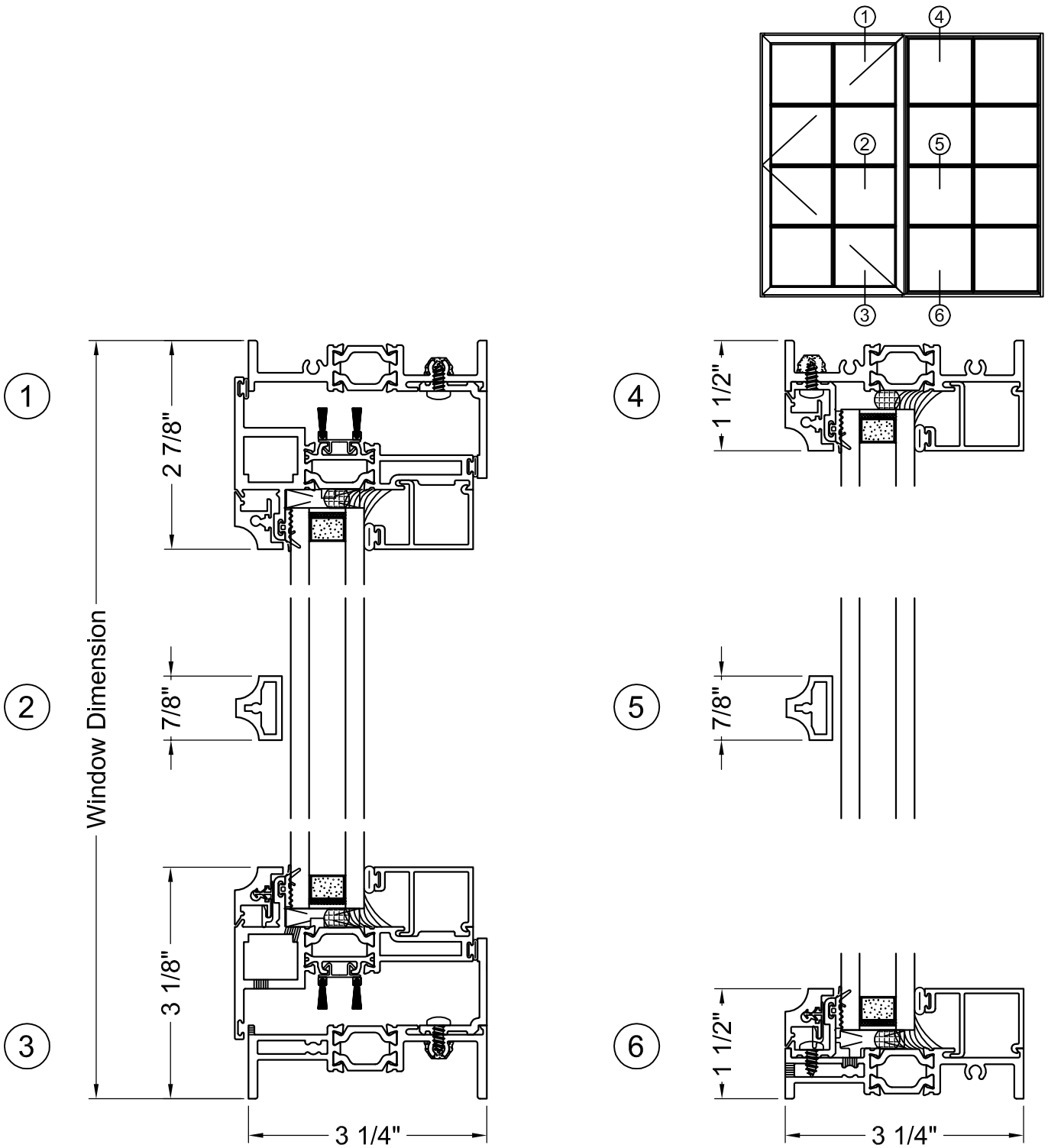
590X 3-1/4" Steel Replica Window

Outswing Casement - Vertical Details



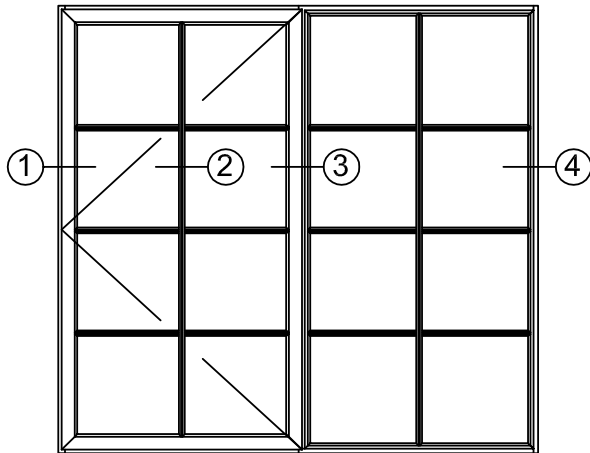
Typical Elevation



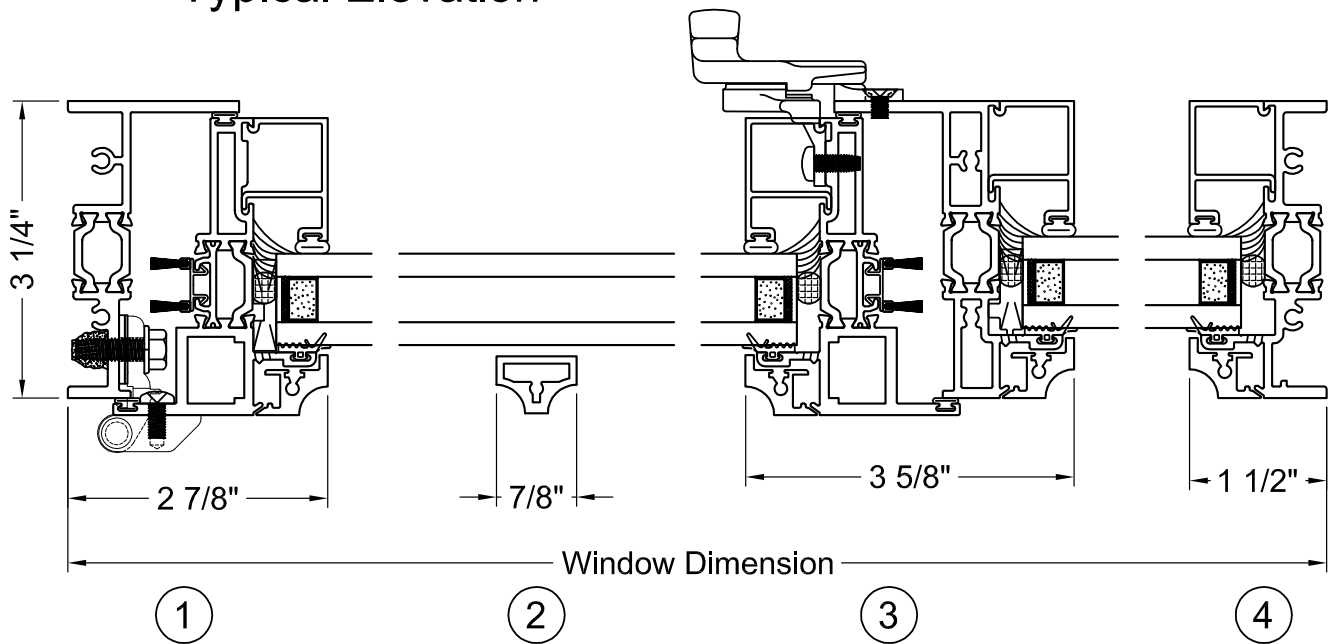


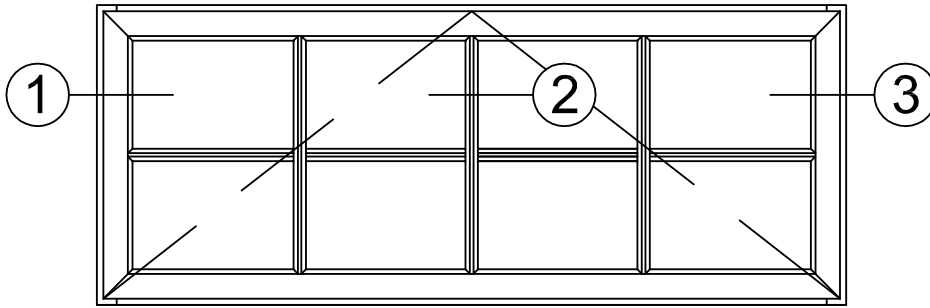
Note: Multiple configurations and hardware options available. Contact your EFCO representative for more information.

Scale: 6" = 1'-0"



Typical Elevation



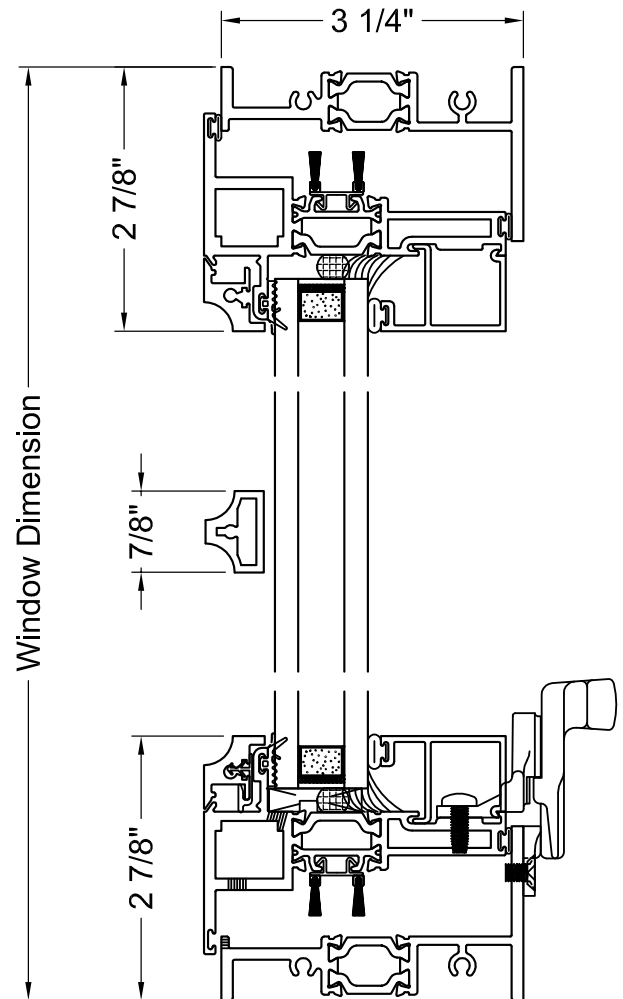


Typical Elevation

1

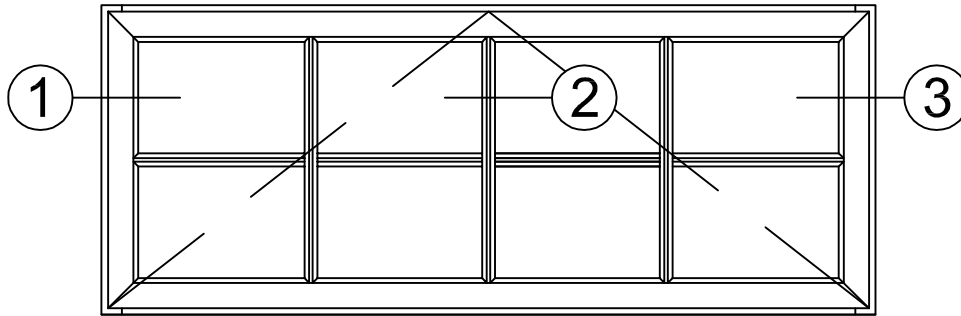
2

3

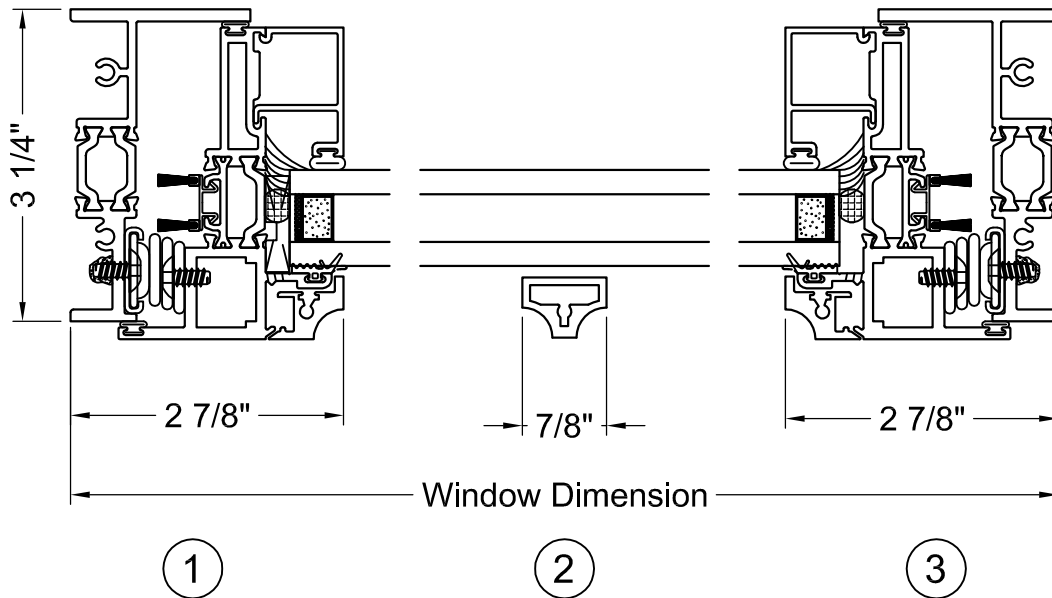


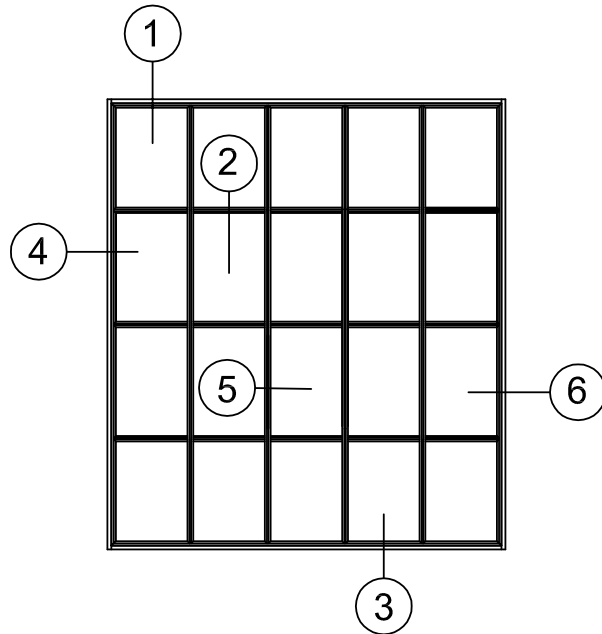
Note: Multiple configurations and hardware options available. Contact your EFCO representative for more information.

Scale: 6" = 1'-0"

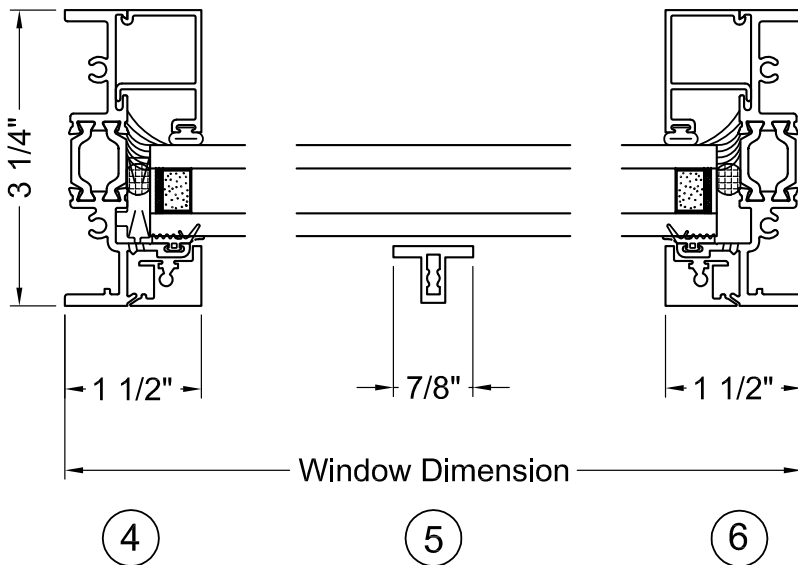
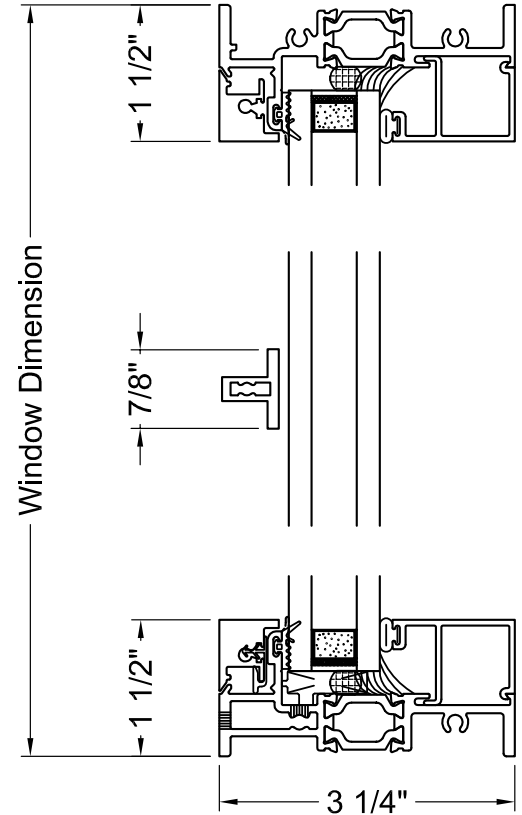


Typical Elevation





Typical Elevation



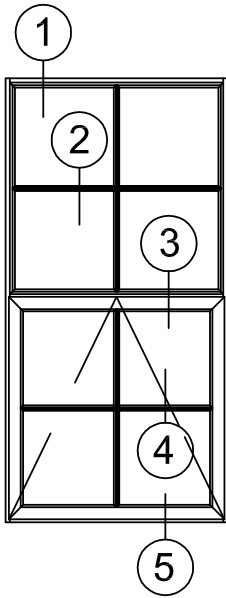
Note: Multiple configuration options available. Contact your EFCO representative for more information.

Scale: 6" = 1'-0"

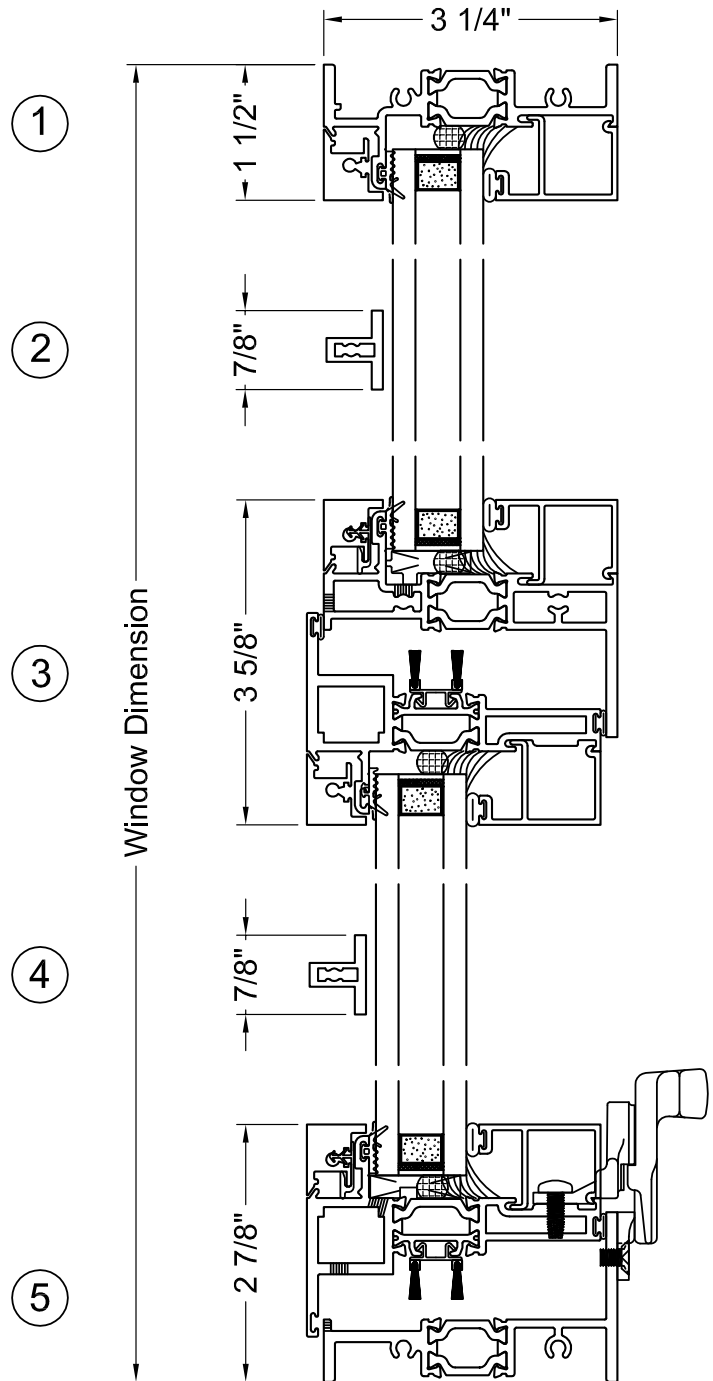


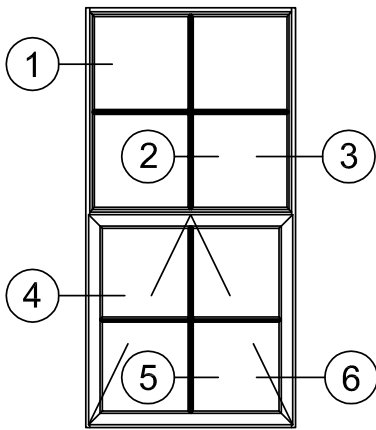
590X 3-1/4" Steel Replica Window

FX/PO - Horizontal Details

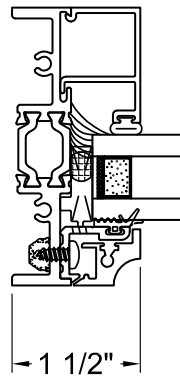


Typical Elevation

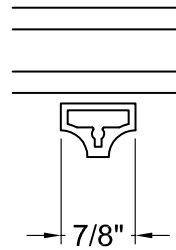




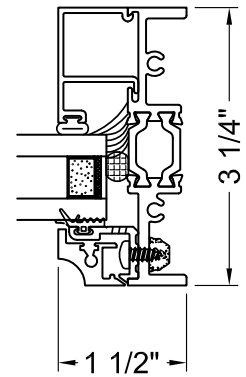
Typical Elevation



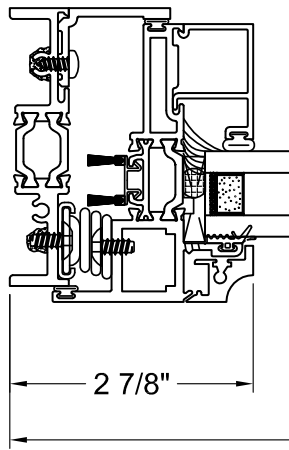
1



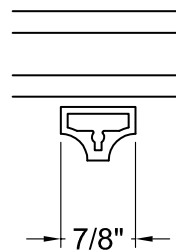
2



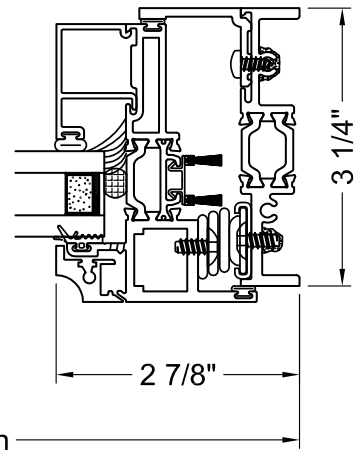
3



4



5



6

Window Dimension

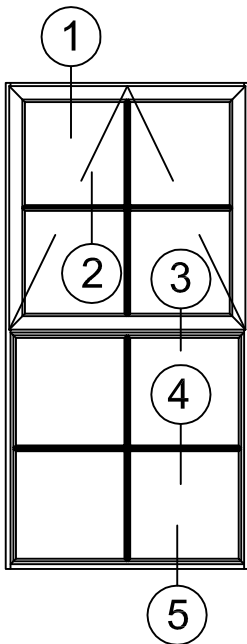
Note: Multiple configuration options available. Contact your EFCO representative for more information.

Scale: 6" = 1'-0"

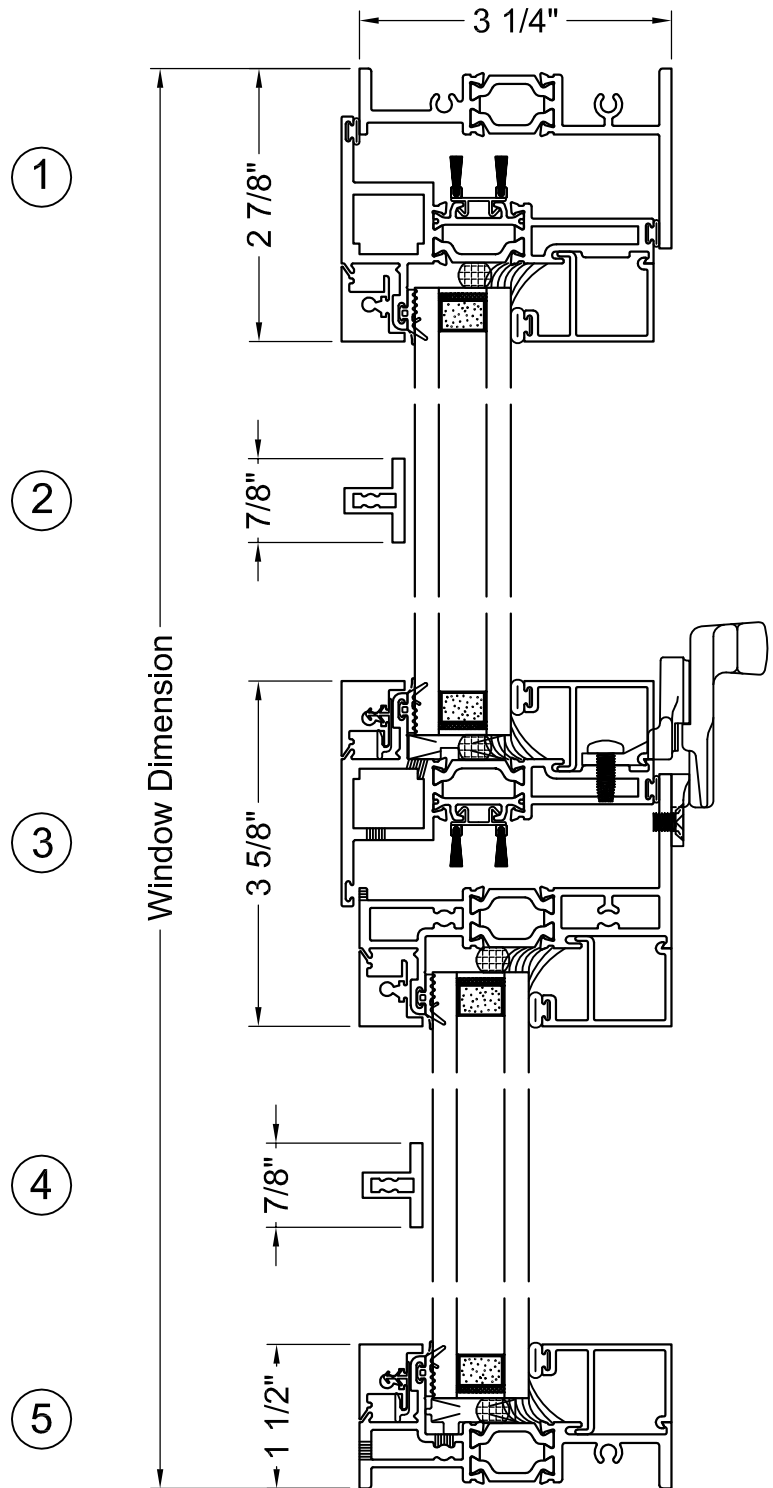


590X 3-1/4" Steel Replica Window

PO/FX - Horizontal Details

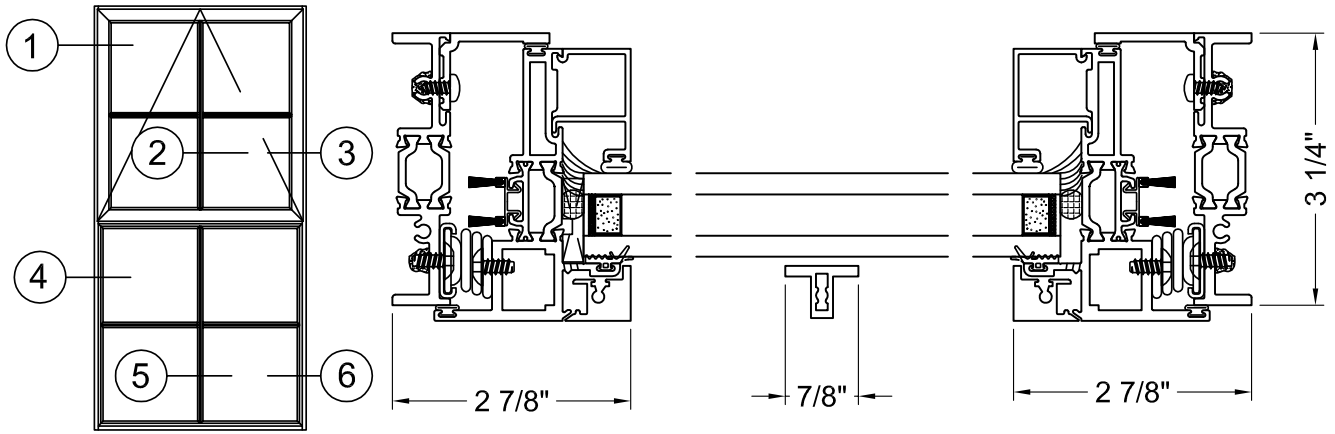


Typical Elevation

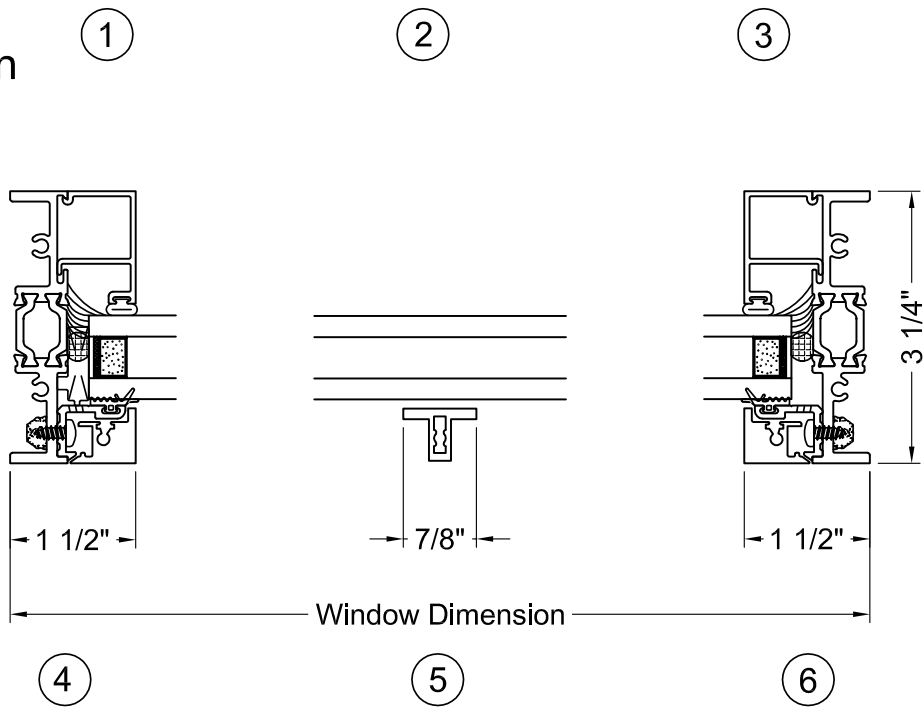


Scale: 6" = 1'-0"

Note: Multiple configurations and hardware options available. Contact your EFCO representative for more information.



Typical Elevation



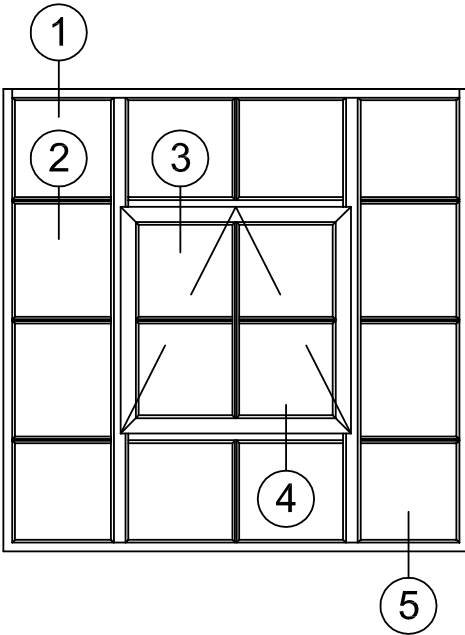
Note: Multiple configuration options available. Contact your EFCO representative for more information.

Scale: 6" = 1'-0"

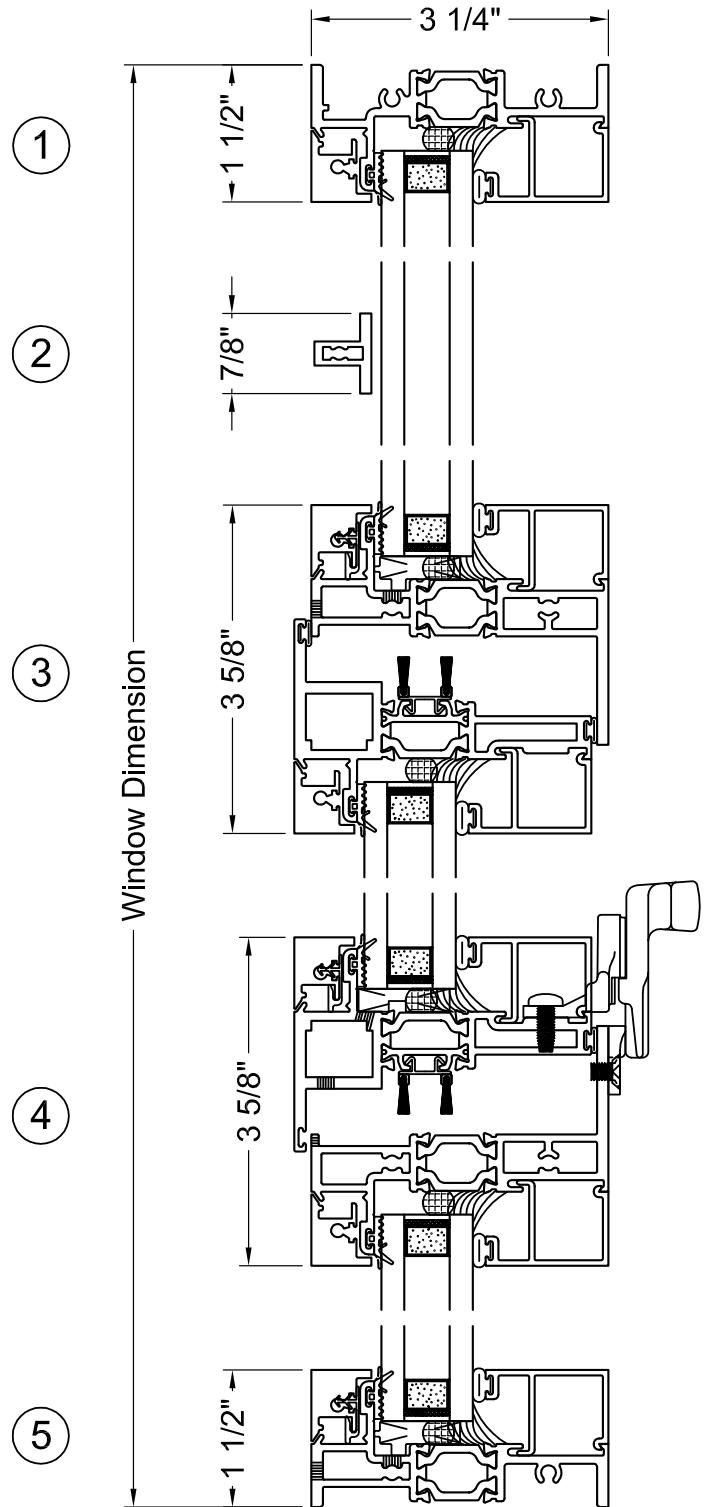


590X 3-1/4" Steel Replica Window

Floating Vent - Horizontal Details

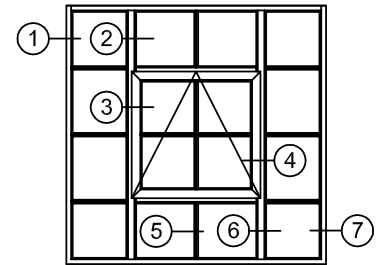


Typical Elevation



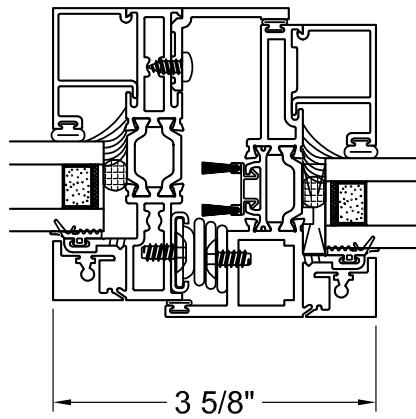
Scale: 6" = 1'-0"

Note: Multiple configurations and hardware options available. Contact your EFCO representative for more information.

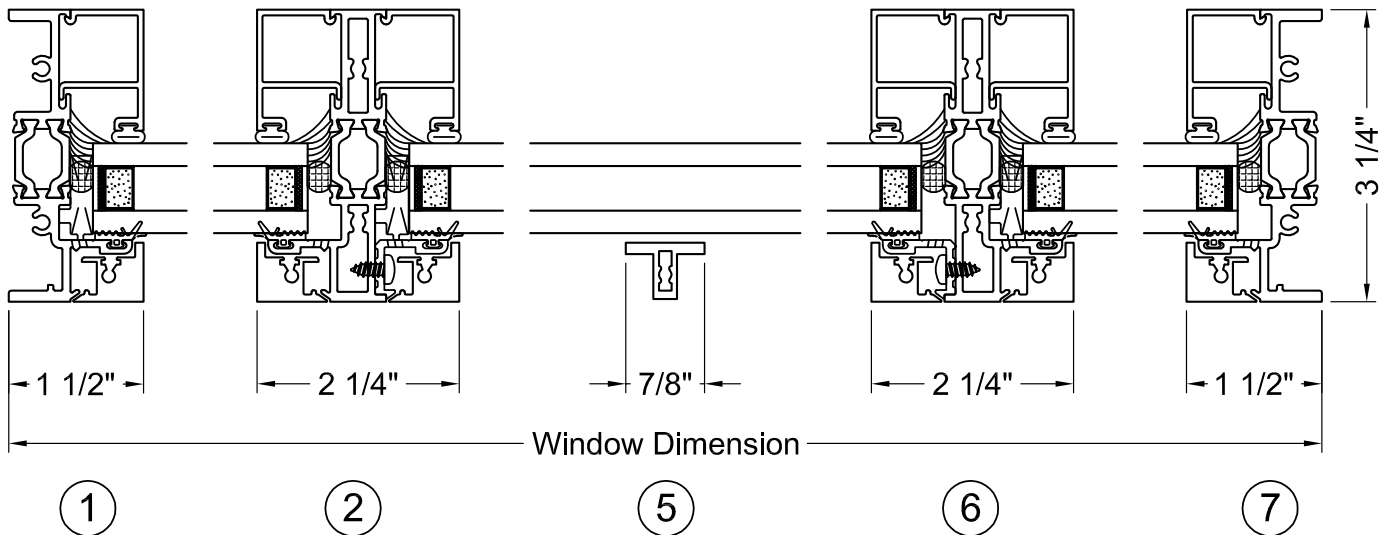
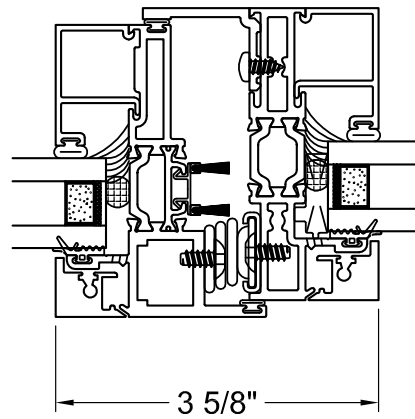


Typical Elevation

3



4



1

2

5

6

7

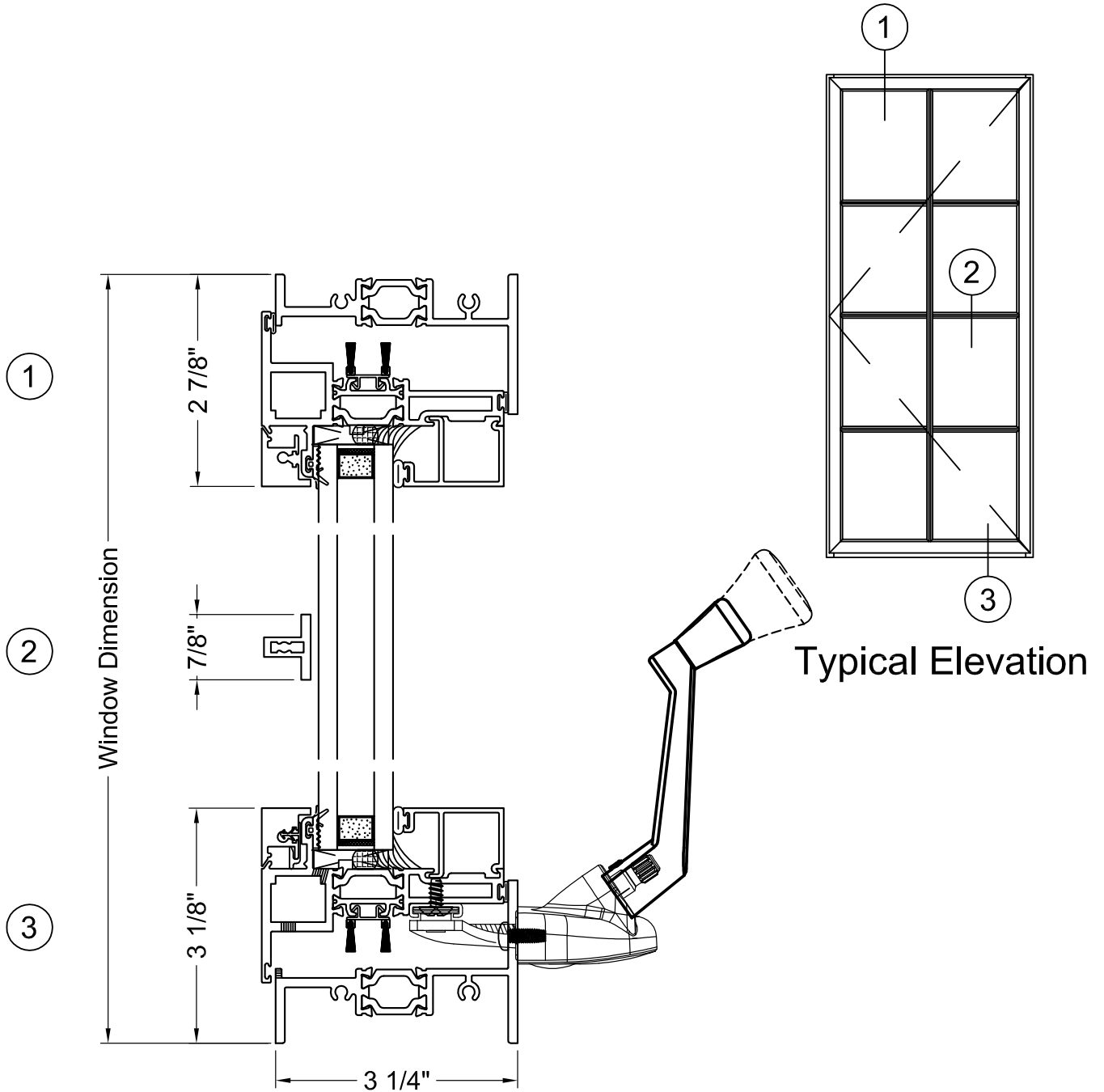
Note: Multiple configuration options available. Contact your EFCO representative for more information.

Scale: 6" = 1'-0"



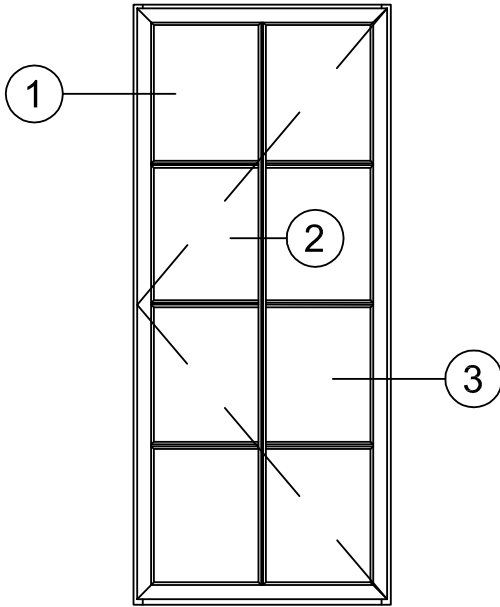
590X 3-1/4" Steel Replica Window

Outswing Casement - Horizontal Details

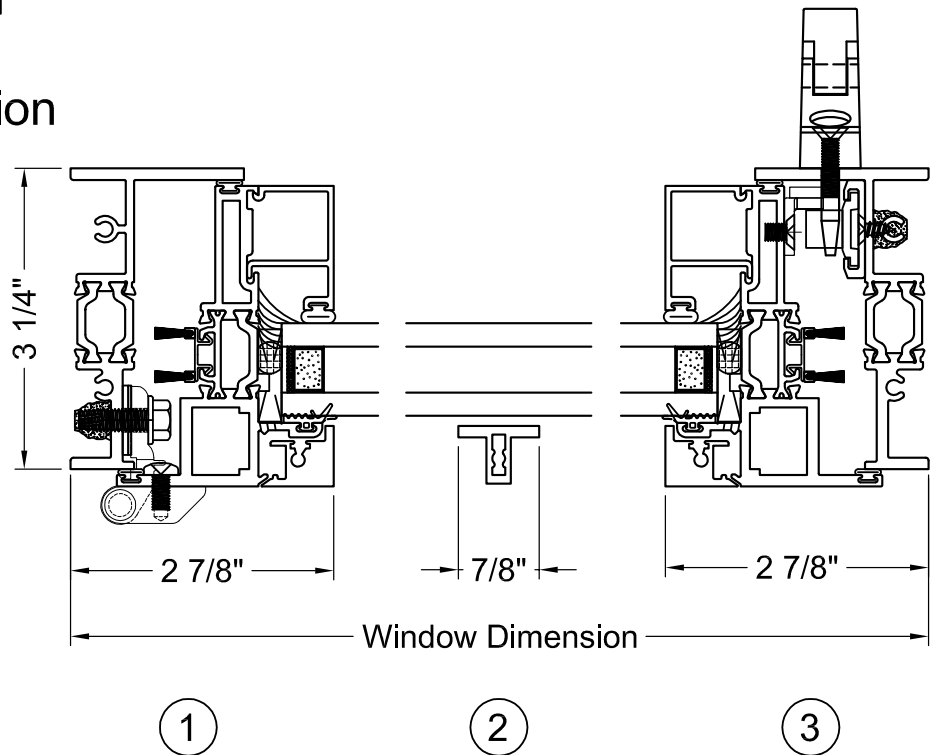


Scale: 6" = 1'-0"

Note: Multiple configurations and hardware options available. Contact your EFCO representative for more information.



Typical Elevation



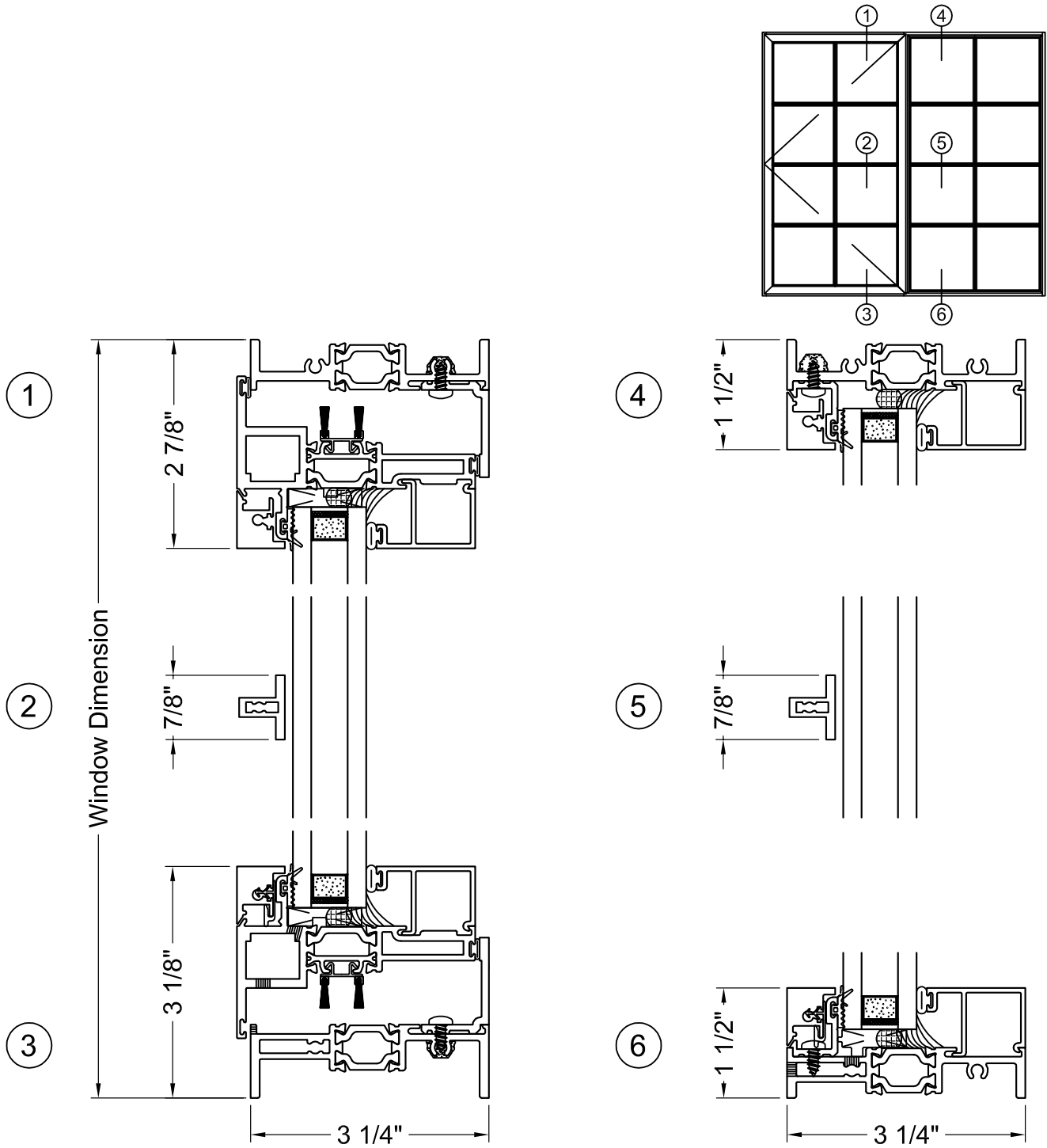
Note: Multiple configuration options available. Contact your EFCO representative for more information.

Scale: 6" = 1'-0"



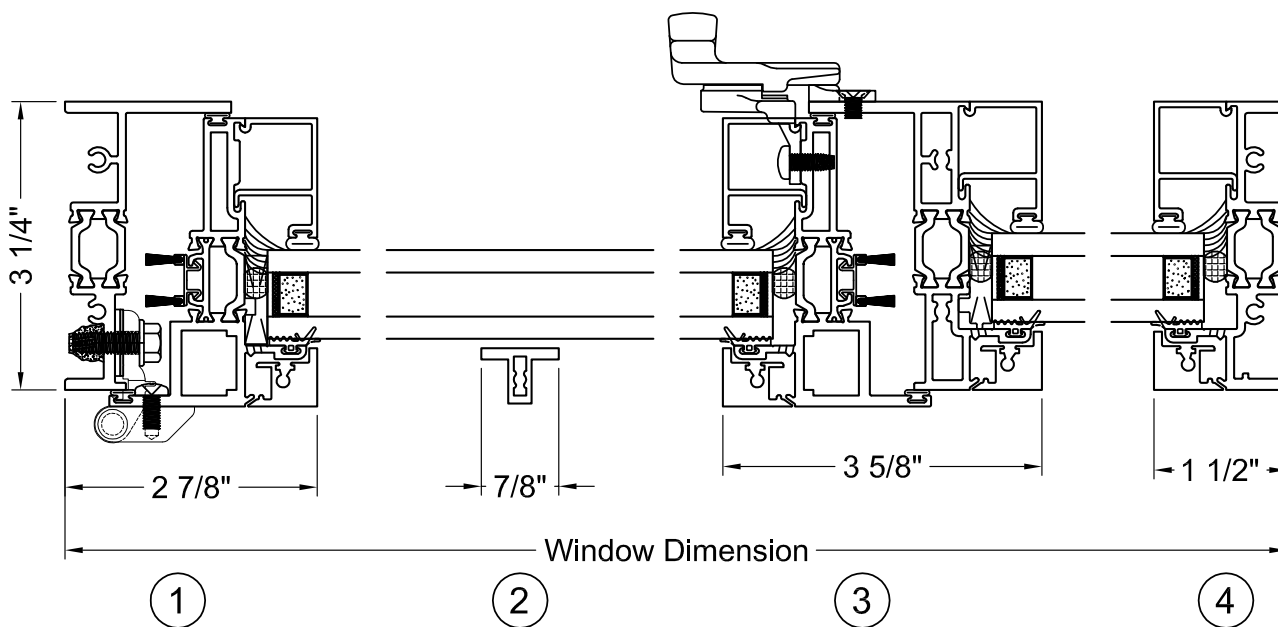
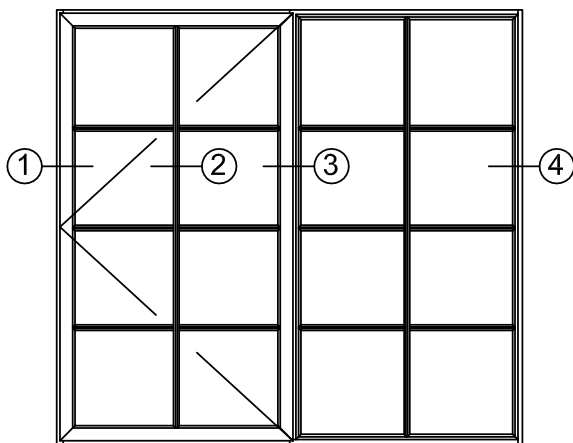
590X 3-1/4" Steel Replica Window

Outswing Casement | Fixed - Horizontal Details



Scale: 6" = 1'-0"

Note: Multiple configurations and hardware options available. Contact your EFCO representative for more information.



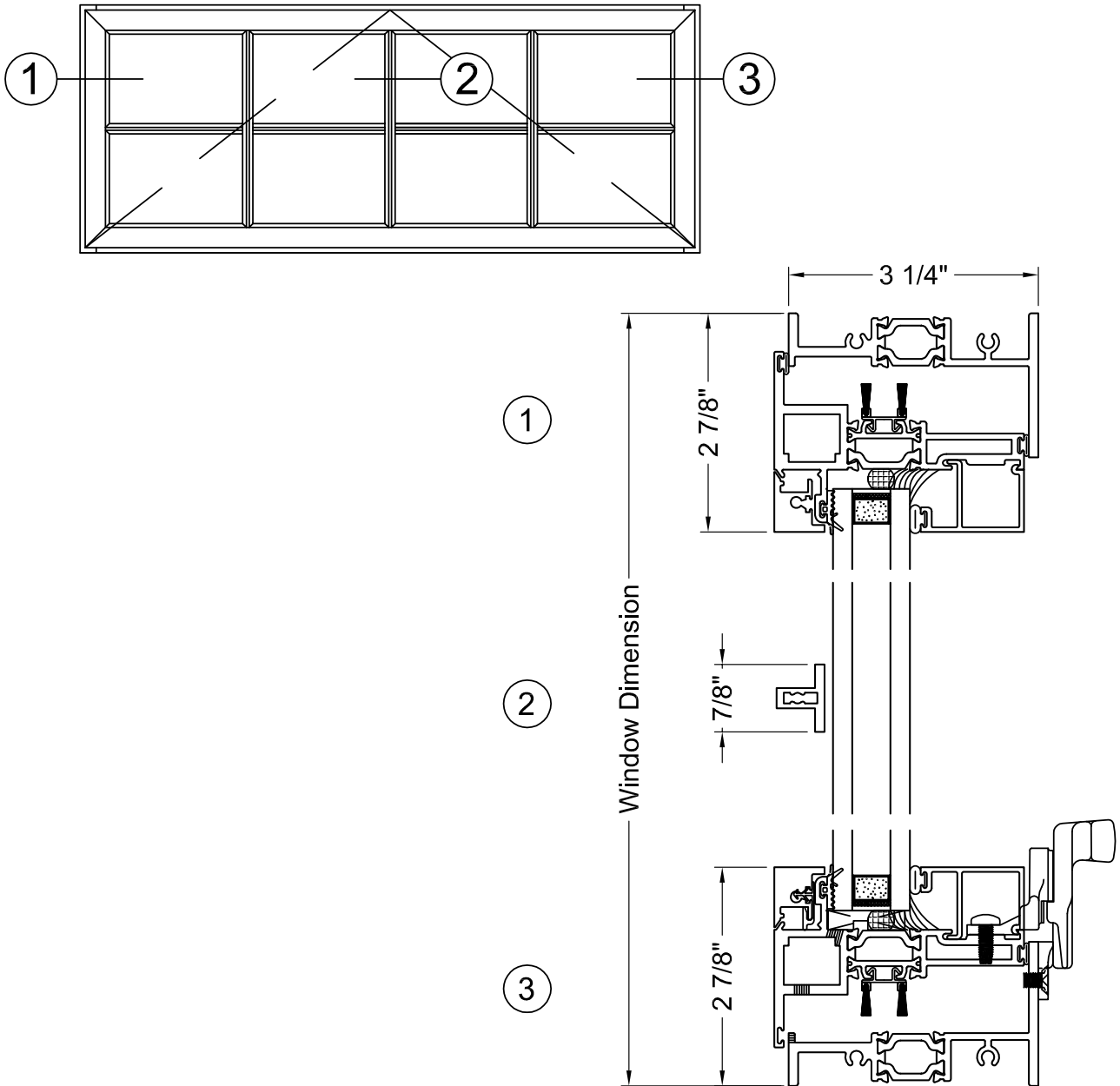
Note: Multiple configuration options available. Contact your EFCO representative for more information.

Scale: 6" = 1'-0"



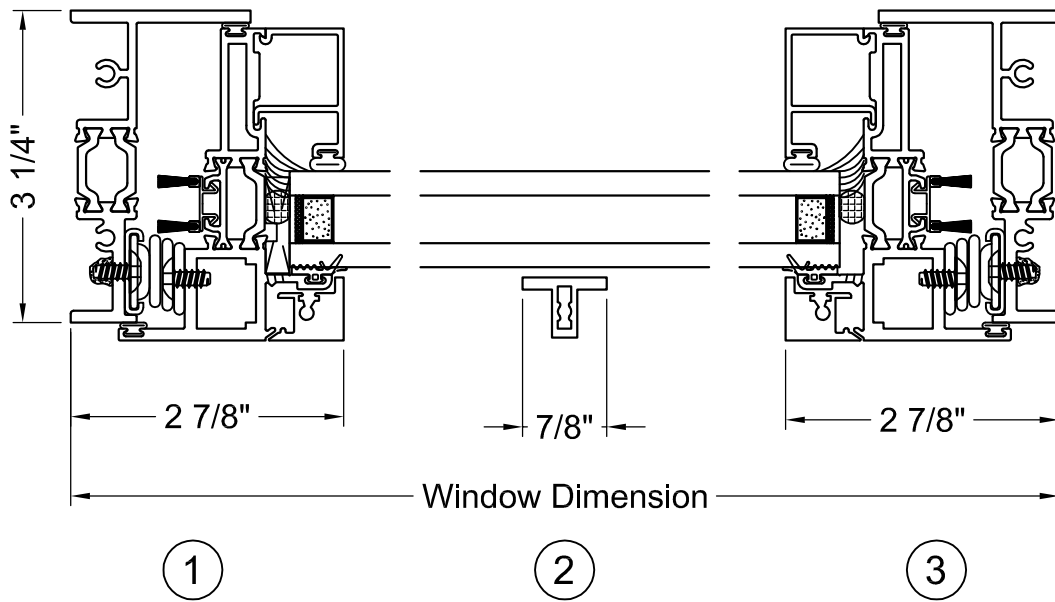
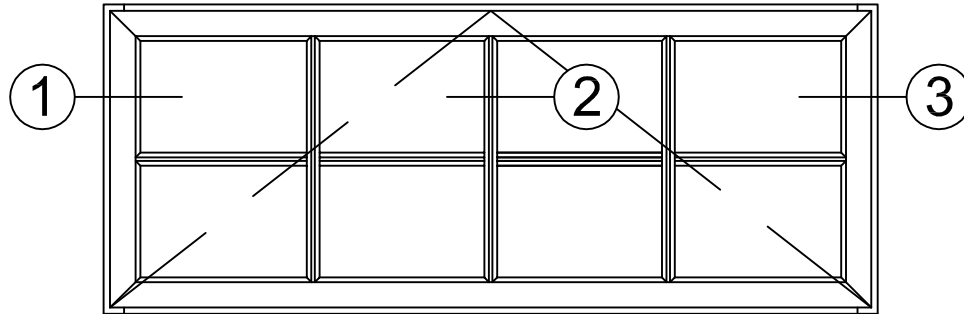
590X 3-1/4" Steel Replica Window

Project Out - Horizontal Details



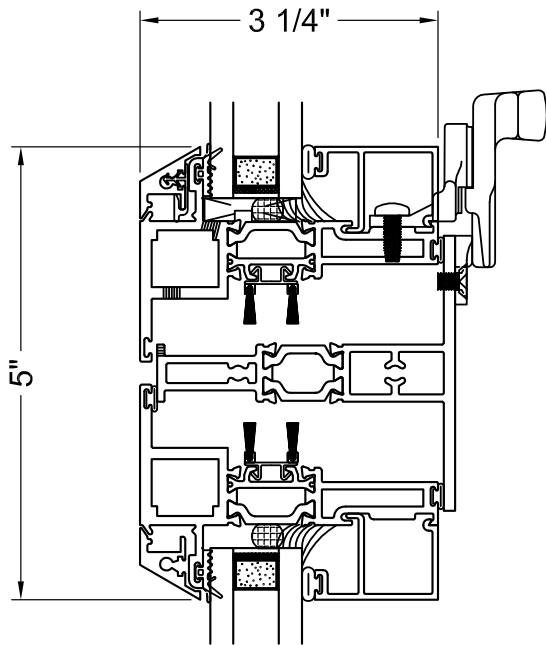
Scale: 6" = 1'-0"

Note: Multiple configurations and hardware options available. Contact your EFCO representative for more information.

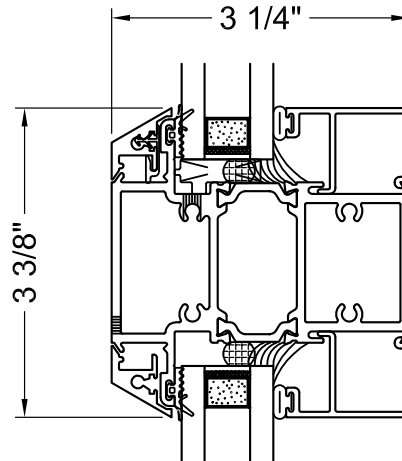


Note: Multiple configuration options available. Contact your EFCO representative for more information.

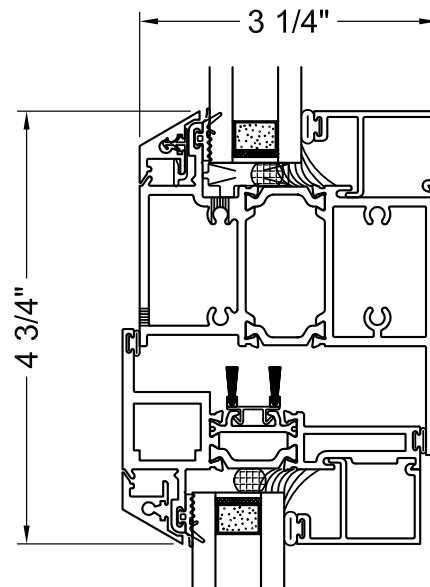
Scale: 6" = 1'-0"



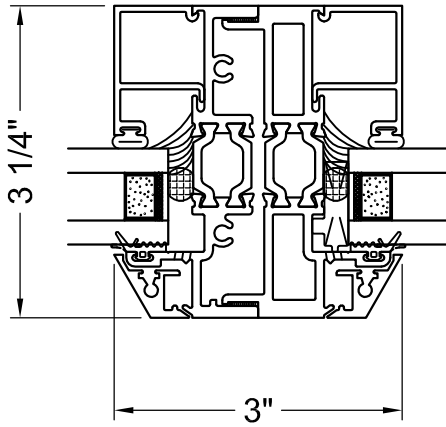
PO / PO Meeting Rail



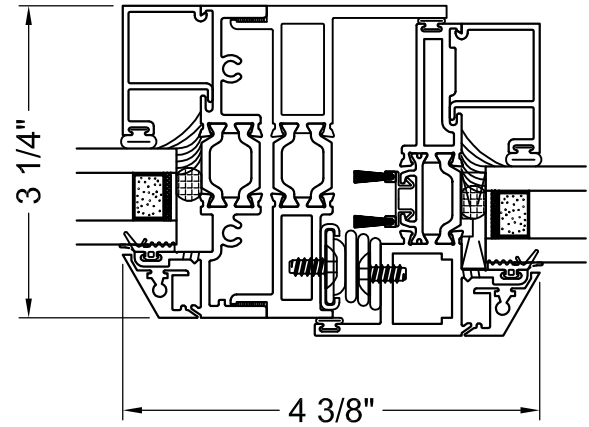
Wide FX / FX Meeting Rail



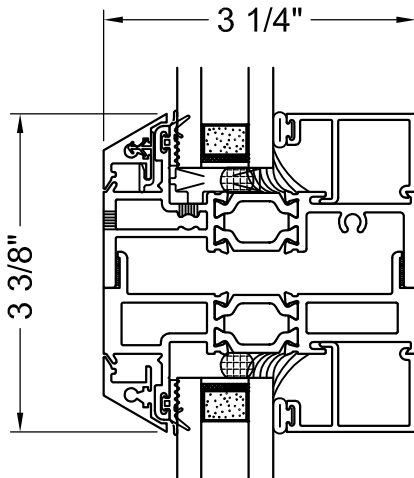
Wide FX / PO Meeting Rail



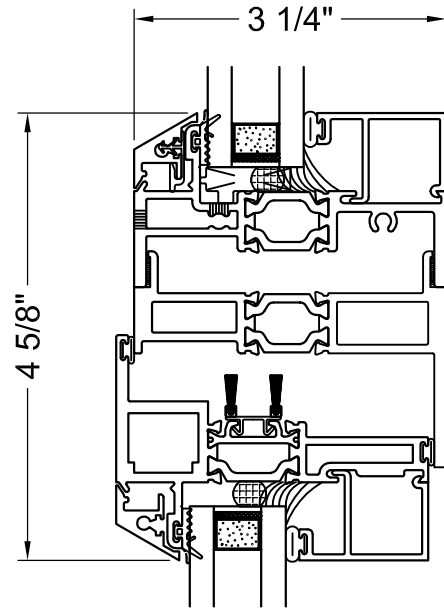
Stack FX | FX



Stack Fixed | PO



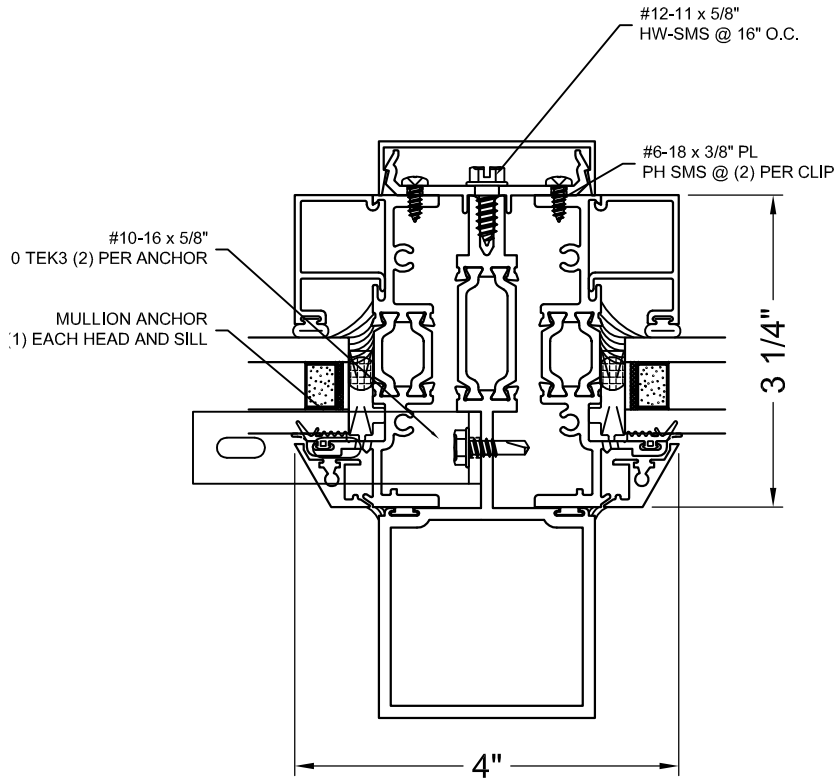
Stack FX / FX



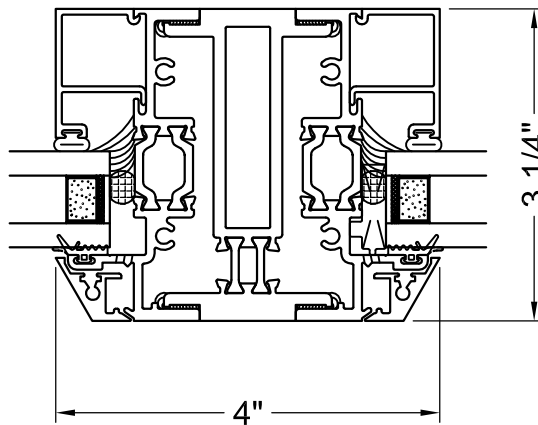
Stack Fixed / PO

Note: Multiple stack options available. Contact your EFCO representative for more information.

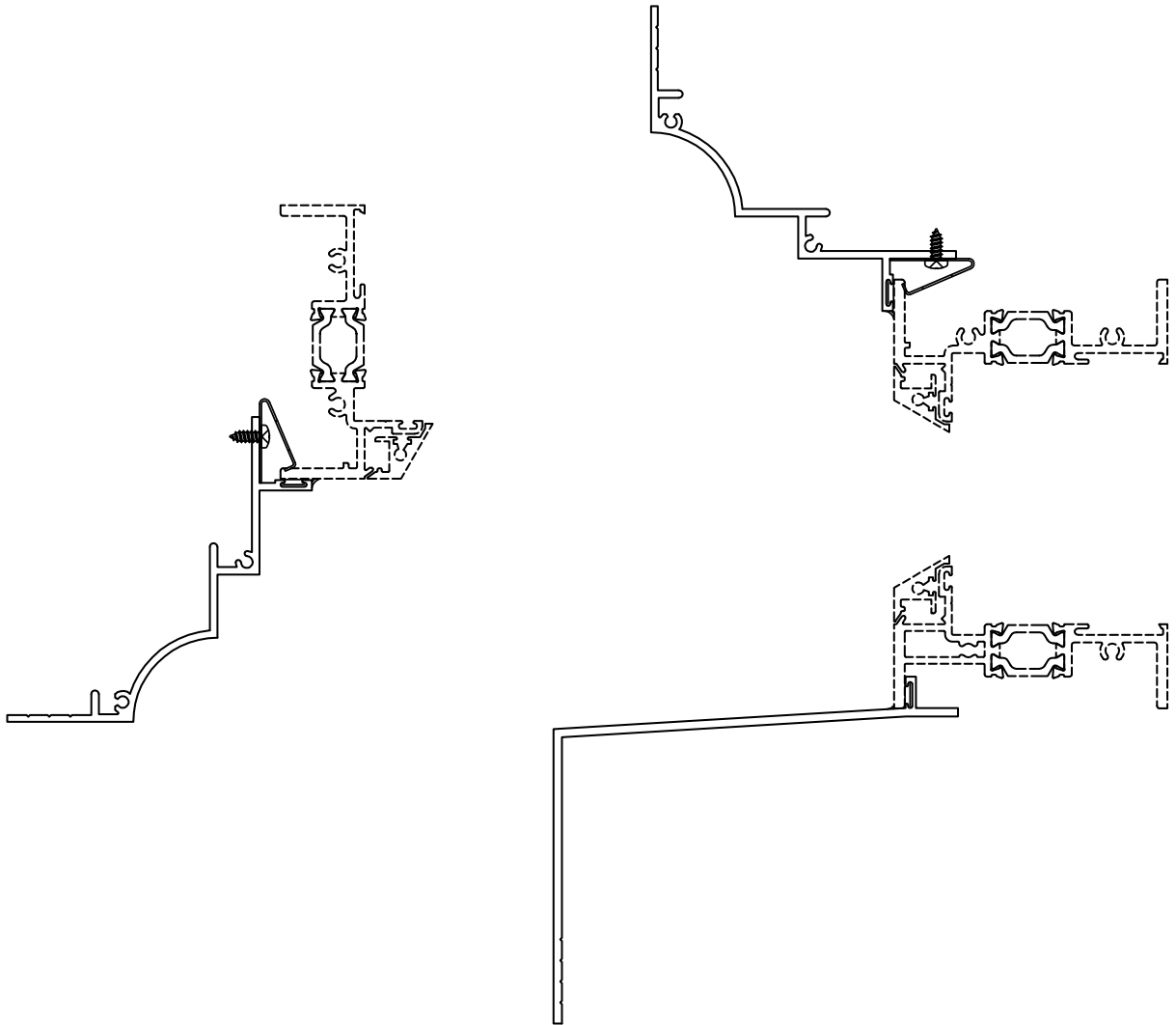
Scale: 6" = 1'-0"



3-Piece Mullion



Stacking Mullion



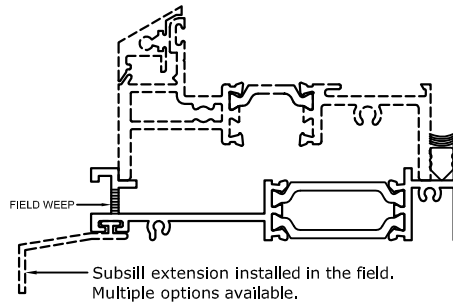
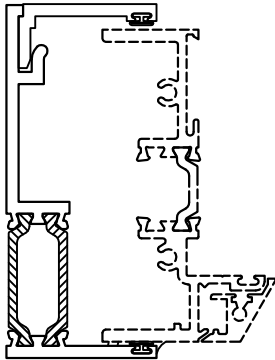
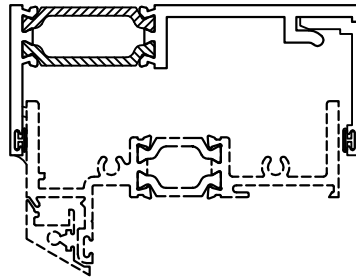
Note: Multiple panning options available. Contact your EFCO representative for more information.

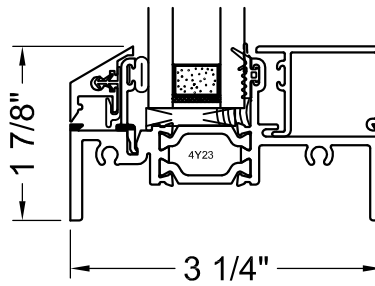
Scale: 6" = 1'-0"



590X 3-1/4" Steel Replica Window

Subframe (Receptor) Details





OG Frame